

GRP-Barrier Strip

pultruded

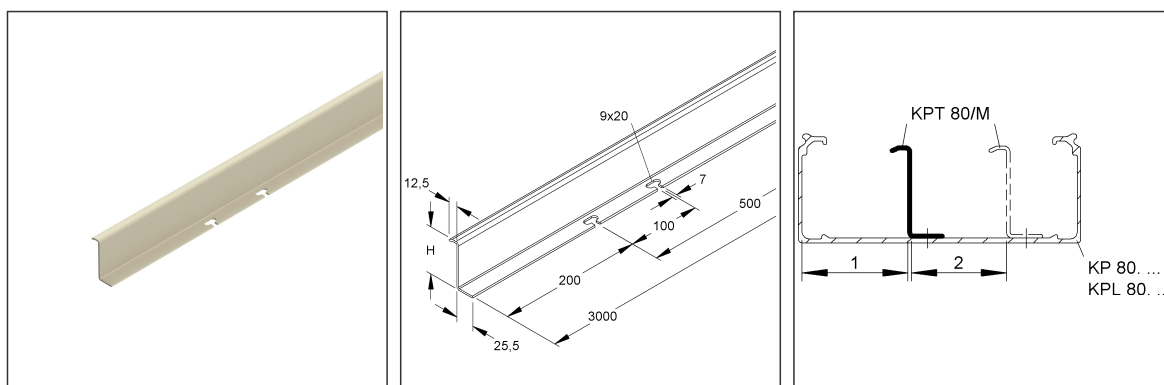
KPT 80

EAN Code: 4013339953134

Smallest packaging unit: 3 m

quantity unit: m M

the photorealistic images are to be considered as reference images



Article Description

GRP-barrier strip for cable tray, 80x3000 mm, glass fiber reinforced polyester, pultruded, RAL 7032, pebble grey

Additional Price Information

Article group	N15
quantity unit	m

Weight

Weight per quantity unit	420 g / m
Weight in kg per 100	42 kg / 100m

Technical Datasheet

Cable Tray System

KPT 80

the photorealistic images are to be considered as reference images

Physical Article Dimensions

Height	65.00 mm
Width	25.00 mm
Depth/length	3000 mm

Packing Dimension

3 meters = 1 piece		✓ VP1-smallest packaging unit (PU)	✓ VP1-preferred PU		
Lenght	3000 mm	Width	25.00 mm	Height	65.00 mm
Gross weight	1,26 kg	Volume	0,005 m ³		
Min. quantity	3.00 m	Max. Quantity	3.00 m		

Tender Text

GRP barrier strip, pultruded, for separating cables and wires with different functions and/or voltages, please order proportional fastening accessories separately, halogen-free. The barrier strip is supplied loose and must be screwed to the trunking by the customer.
Article available in various resin mixtures.
Requirement: 3 piece FKM 6X16 E4 per meter (please order separately)
Used for : GRP cable tray KP 80...
GRP cable tray KPL 80...
Dimensions (approx. dimensions)
H x W : 65 x 25.5 mm
Delivery length : 3000 mm
Material : UP-GF (glass fiber reinforced polyester)
Colour : pebble gray
RAL : 7032 (similar)
NIEDAX Model no. : KPT 80
EP Material _____ EP Wage _____
Unit price/meter

Safety & Environment

REACH Date	25.06.2025
REACH Info	Conformable
RoHS Info	Conformable

Origin & International Trade

Country of origin	FR
Customs tariff number	39259020