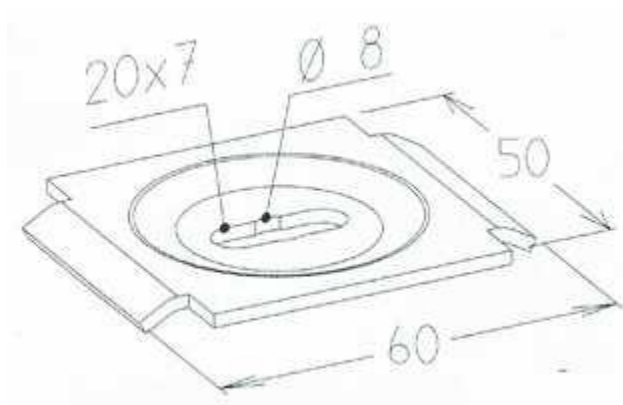


AGENCES INDUSTRIELLES
INDUSTRIELE AGENTSCHAPPEN

Equipements Electromécaniques
Elektro-mekaniek Uitrustingen

SA **Staelens** NV

CENTRALE OPHANGING / WAND-& BODEMBEVESTIGING



Referenties

MV 51102 Sendzimir Z275

MV 51202 Warmverzinkt

MV 51602 INOX 304L

MV 51802 INOX 316L

Verpakking : 100 st.