

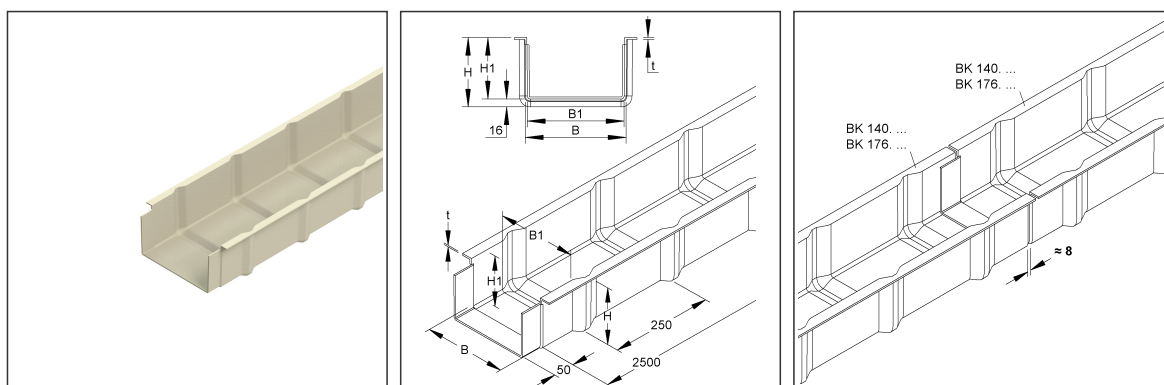
GRP-Cable Tray

pressed, unperforated, with moulded socket, with transverse reinforcing ribs (16 mm)

BK 140.200

EAN Code: 4013339952991
 Smallest packaging unit: 2.5 m
 quantity unit: m M

the photorealistic images are to be considered as reference images



Article Description

GRP-cable tray, 140x200x2500 mm, unperforated, Polyester glasfaserverstärkt, gepresst, RAL 7032, kieselgrau

Additional Price Information

Article group	N15
quantity unit	m

Weight

Weight per quantity unit	3,007 kg / m
Weight in kg per 100	301 kg / 100m

Technical Datasheet

Cable Tray System

BK 140.200

the photorealistic images are to be considered as reference images

Physical Article Dimensions

Height	140.00 mm
Width	249 mm
Depth/length	2550 mm

Packing Dimension

2,5 meters = 1 piece		✓ VP1-smallest packaging unit (PU)		✓ VP1-preferred PU	
Lenght	2550 mm	Width	249 mm	Height	140.00 mm
Gross weight	7,52 kg	Volume	0,089 m ³		
Min. quantity	2.50 m	Max. Quantity	2.50 m		

Tender Text

GRP cable tray, pressed, unperforated, with moulded socket, with transverse reinforcing ribs (16 mm), quick processing due to socket connection, thus a screw connection of the GRP cable trays is not necessary, halogen-free.
When installing the GRP cable tray, a mounting distance of approx. 8 mm must be taken into account.

Dimensions (approx. dimensions)
Height H x Width W : 140 x 200 mm
Material thickness t : 4 mm
Bottom beading : 67 x 16 mm
Bottom beading grid dimension : 250 mm
Delivery length : 2500 mm
Usable cross-section : 22320 mm²
Material : UP-GF (glass fibre reinforced polyester)
Colour : pebble grey
RAL : 7032 (similar)
NIEDAX Model No. : BK 140.200
EP material _____ EP wage _____
Unit price/meter

Safety & Environment

REACH Date	25.06.2025
REACH Info	Conformable
RoHS Info	Conformable

Origin & International Trade

Country of origin	FR
Customs tariff number	39259020

Technical Datasheet

Cable Tray System

BK 140.200

the photorealistic images are to be considered as reference images

Related items

Barrier strip

Model No.	Description
BKT 140	GRP-barrier strip, 107x2500 mm, glass fiber reinforced polyester, pressed, RAL 7032, pebble grey
BKT 140/M	GRP-barrier strip, 107x2500 mm, pre-assembled, glass fiber reinforced polyester, pressed, RAL 7032, stone grey
FKM 6X20 E4	Cup screw with slot, nut, washer, DIN 7093-1, M6, length =20 mm, Edelstahl, Werkstoff-Nr.: 1.4401, 1.4404, inkl. Mutter u. Scheibe