

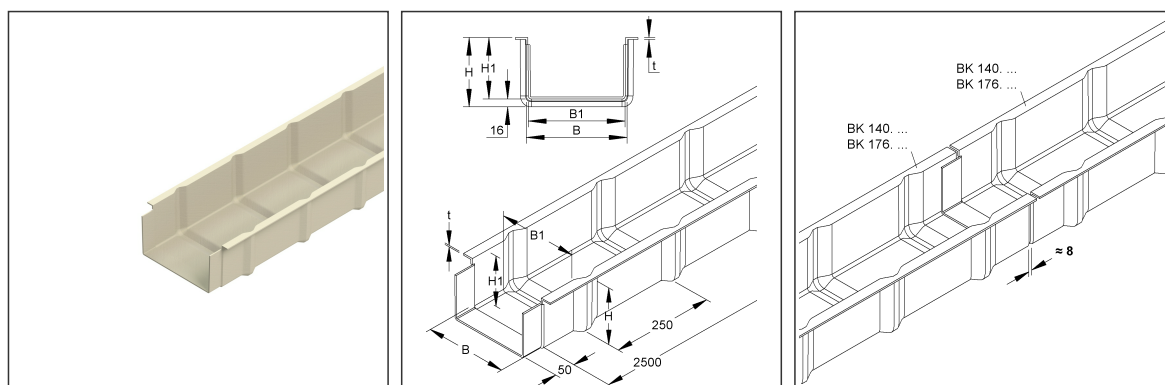
GRP-Cable Tray

pressed, unperforated, with moulded socket, with transverse reinforcing ribs (16 mm)

BK 176.300

EAN Code: 4013339953004
 Smallest packaging unit: 2.5 m
 quantity unit: m M

the photorealistic images are to be considered as reference images



Article Description

GRP Cable tray, 176x300x2500 mm, unperforated, Polyester glasfaserverstärkt, gepresst, RAL 7032, kieselgrau

Additional Price Information

Article group	N15
quantity unit	m

Weight

Weight per quantity unit	4,063 kg / m
Weight in kg per 100	406 kg / 100m

Technical Datasheet

Cable Tray System

BK 176.300

the photorealistic images are to be considered as reference images

Physical Article Dimensions

Height	176.00 mm
Width	352 mm
Depth/length	2550 mm

Packing Dimension

2,5 meters = 1 piece		✓ VP1-smallest packaging unit (PU)		✓ VP1-preferred PU	
Lenght	2550 mm	Width	352 mm	Height	176.00 mm
Gross weight	10 kg	Volume	0,158 m ³		
Min. quantity	2.50 m	Max. Quantity	2.50 m		

Tender Text

GRP cable tray, pressed, unperforated, with moulded socket, with transverse reinforcing ribs (16 mm), quick processing due to socket connection, thus a screw connection of the GRP cable trays is not necessary, halogen-free.
When installing the GRP cable tray, a mounting distance of approx. 8 mm must be taken into account.

Dimensions (approx. dimensions)
Height H x Width W : 176 x 300 mm
Material thickness t : 4 mm
Bottom beading : 67 x 16 mm
Bottom beading grid dimension : 250 mm
Delivery length : 2500 mm
Usable cross-section : 45552 mm²
Material : UP-GF (glass fibre reinforced polyester)
Colour : pebble grey
RAL : 7032 (similar)
NIEDAX Model No. : BK 176.300
EP material _____ EP wage _____
Unit price/metre

Safety & Environment

REACH Date	25.06.2025
REACH Info	Conformable
RoHS Info	Conformable

Origin & International Trade

Country of origin	FR
Customs tariff number	39259020

Technical Datasheet

Cable Tray System

BK 176.300

the photorealistic images are to be considered as reference images

Related items

Barrier strip

Model No.	Description
BKT 176	GRP-barrier strip, 143x2500 mm, glass fiber reinforced polyester, pressed, RAL 7032, pebble grey
BKT 176/M	GRP-barrier strip, 143x2500 mm, pre-assembled, glass fiber reinforced polyester, pressed, RAL 7032, stone grey
FKM 6X20 E4	Cup screw with slot, nut, washer, DIN 7093-1, M6, length =20 mm, Edelstahl, Werkstoff-Nr.: 1.4401, 1.4404, inkl. Mutter u. Scheibe