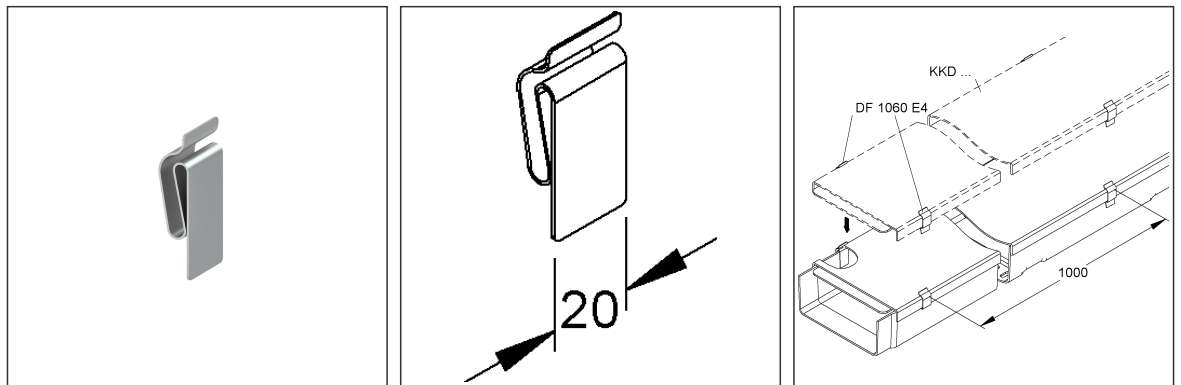


Cover Clamp

DF 1060 E4

EAN Code: 4013339957910
 Smallest packaging unit: 50 pcs.

the photorealistic images are to be considered as reference images



Article Description

Cover clip, Edelstahl, Werkstoff-Nr.: 1.4401, 1.4404

Additional Price Information

Article group	N15
quantity unit	pcs.

Weight

Weight per quantity unit	11 g / pcs.
Weight in kg per 100	1,1 kg / 100pcs.

Physical Article Dimensions

Height	10.00 mm
Width	20.00 mm
Depth/length	45.00 mm

Technical Datasheet

Cable Tray System

DF 1060 E4

the photorealistic images are to be considered as reference images

Packing Dimension

50 pieces = 1 bag		✓ VP1-smallest packaging unit (PU)		✓ VP1-preferred PU	
Lenght	140.00 mm	Width	100.00 mm	Height	75.00 mm
Gross weight	0,55 kg	Volume	0,001 m³		
Min. quantity	50.00 pcs.	Max. Quantity	50.00 pcs.		

Tender Text

Cover retaining spring, for fastening -clamping function- of the GRP cable tray cover. When fastening, it must be ensured that 2 pieces per meter are attached alternately under normal conditions. Due to external influences, e.g. wind loads, the number of cover retaining springs must be increased.

Suitable for: GRP cable tray cover KKD...
and cable trays KKL... and KK...
with edge heights 50, 80 and 110 mm
Dimensions (approx. dimensions)
Weight W : 20 mm
Material : Stainless steel, material no. 1.4404, AISI 316L
NIEDAX Model no. : DF 1060 E4
EP Material_____ EP Wage_____
Unit price/piece

Safety & Environment

REACH Date	25.06.2025
REACH Info	Conformable
RoHS Info	Conformable

Origin & International Trade

Country of origin	FR
Customs tarif number	73089098