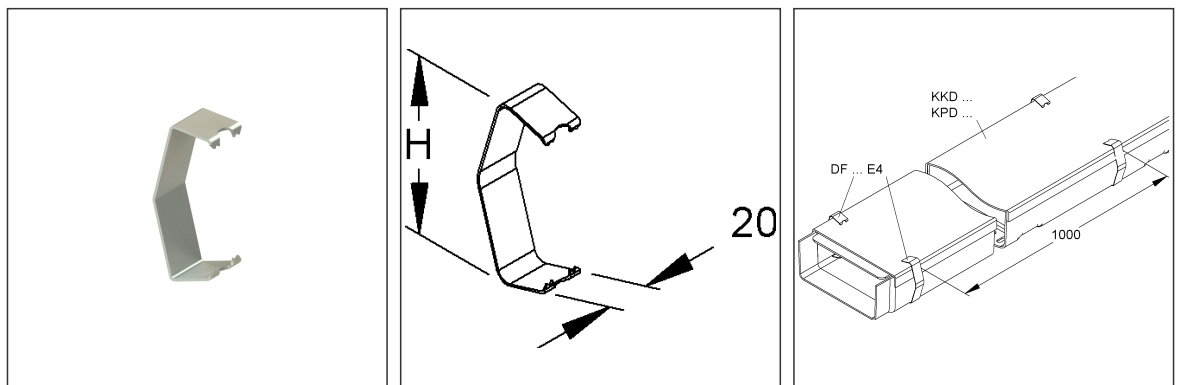


Cover Clamp

DF 50 E4

EAN Code: 4013339957873
 Smallest packaging unit: 50 pcs.

the photorealistic images are to be considered as reference images



Article Description

Cover clamp, height 55 mm, Edelstahl, Werkstoff-Nr.: 1.4401, 1.4404

Additional Price Information

Article group	N15
quantity unit	pcs.

Weight

Weight per quantity unit	17 g / pcs.
Weight in kg per 100	1,7 kg / 100pcs.

Physical Article Dimensions

Height	47.00 mm
Width	20.00 mm
Depth/length	53.00 mm

Technical Datasheet

Cable Tray System

DF 50 E4

the photorealistic images are to be considered as reference images

Packing Dimension

50 pieces = 1 bag		✓ VP1-smallest packaging unit (PU)	✓ VP1-preferred PU		
Lenght	140.00 mm	Width	100.00 mm	Height	75.00 mm
Gross weight	0,85 kg	Volume	0,001 m ³		
Min. quantity	50.00 pcs.	Max. Quantity	50.00 pcs.		

Tender Text

Cover retaining spring, for fastening -clamping function- of GRP cable tray/ladder covers as well as GRP cable tray and cable ladder fitting covers. When fastening, it must be ensured that 2 pieces per meter are attached alternately under normal conditions. Due to external influences, e.g. wind loads, the number of cover retaining springs must be increased.

Can be used for:

GRP cable tray/cable ladder cover KKD...

GRP cable tray cover KPD... and cable trays/ladders with edge height 50/53 mm

GRP cable tray fitting covers

Elbow 45° KKCD...

Elbow 90° KKBD...

Elbow 90°, small KKWD...

Vertical inside elbow KKBID...

Vertical outside elbow KKBAD...

Floor KKETD...

Extension T-piece, small KKSSD...

Extension T-piece, large KKSTD...

Reducer, right KKRRD...

Reducer, left KKRLD...

for cable trays Edge height 50 mm

GRP cable tray cover

Elbow 90° ULBD...

Elbow, adjustable ULBAD...

T-piece ULTED...

Crossing ULXD...

with cable ladder Edge height 53 mm

Dimensions (approx. dimensions)

H x W : 55 x 20 mm

Material : Stainless steel, material no. 1.4404, AISI 316L

NIEDAX Model no. : DF 50 E4

EP Material_____ EP Wage_____

Unit price/piece

Safety & Environment

REACH Date	25.06.2025
REACH Info	Conformable
RoHS Info	Conformable

Origin & International Trade

Country of origin	FR
Customs tariff number	73089098