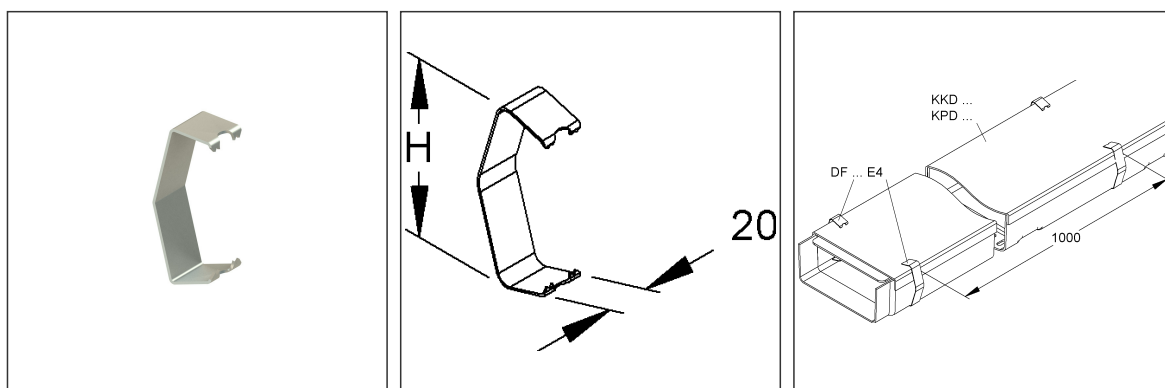


Cover Clamp

DF 80 E4

EAN Code: 4013339957880
 Smallest packaging unit: 50 pcs.

the photorealistic images are to be considered as reference images



Article Description

Cover clamp, height 85 mm, Edelstahl, Werkstoff-Nr.: 1.4401, 1.4404

Additional Price Information

Article group	N15
quantity unit	pcs.

Weight

Weight per quantity unit	21 g/ pcs.
Weight in kg per 100	2,1 kg/ 100pcs.

Physical Article Dimensions

Height	65.00 mm
Width	20.00 mm
Depth/length	85.00 mm

Technical Datasheet

Cable Tray System

DF 80 E4

the photorealistic images are to be considered as reference images

Packing Dimension

50 pieces = 1 bag		✓ VP1-smallest packaging unit (PU)	✓ VP1-preferred PU		
Lenght	140.00 mm	Width	100.00 mm	Height	75.00 mm
Gross weight	1,05 kg	Volume	0,001 m ³		
Min. quantity	50.00 pcs.	Max. Quantity	50.00 pcs.		

Tender Text

Cover retaining spring, for fastening -clamping function- of GRP cable tray/ladder covers as well as GRP cable tray and cable ladder fitting covers. When fastening, it must be ensured that 2 pieces per meter are attached alternately under normal conditions. Due to external influences, e.g. wind loads, the number of cover retaining springs must be increased.

Can be used for:

- GRP cable tray/ladder covers KKD... and cable trays/ladder with edge height 80 mm
- GRP cable tray fitting cover
- Elbow 45° KKCD...
- Elbow 90° KKBD...
- Elbow 90°, small KKWD...
- Vertical inside elbow KKBID...
- Vertical outside elbow KKBAD...
- Floor KKETD...
- Extension T-piece, small KKSSD...
- Extension T-piece, large KKSTD...
- Reducer, right KKRRD...
- Reducer, left KKRLD...
- with cable trays Edge height 80 mm
- GRP cable tray cover
- Elbow 90° ULBD...
- Elbow, adjustable ULBAD...
- T-piece ULTED...
- Crossing ULXD...
- with cable ladders Edge height 80 mm

Dimensions (approx. dimensions)
H x W : 85 x 20 mm

Material : Stainless steel, material no. 1.4404, AISI 316L
NIEDAX Model no. : DF 80 E4
EP Material _____ EP Wage _____
Unit price/piece

Safety & Environment

REACH Date	25.06.2025
REACH Info	Conformable
RoHS Info	Conformable

Origin & International Trade

Country of origin	FR
Customs tariff number	73089098