

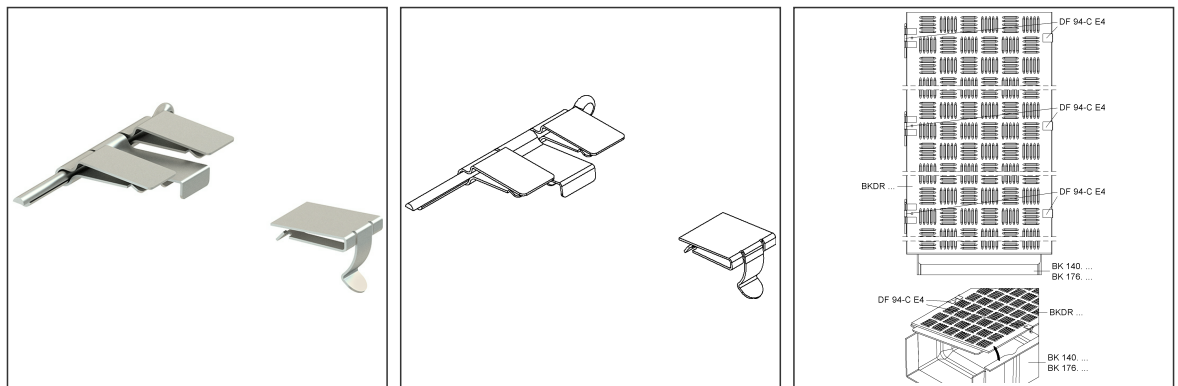
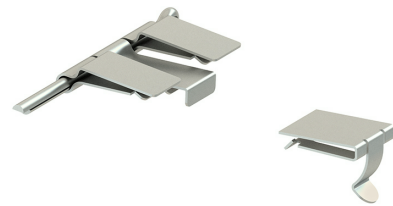
Cover Clamp

consisting of hinge and retaining spring with clip function

DF 94-C E4

EAN Code: 4013339957866
 Smallest packaging unit: 1 pc.

the photorealistic images are to be considered as reference images



Article Description

Cover clamp, with clip and hinge, Edelstahl, Werkstoff-Nr.: 1.4401, 1.4404

Additional Price Information

Article group	N15
quantity unit	pcs.

Weight

Weight per quantity unit	27 g / pcs.
Weight in kg per 100	2,7 kg / 100pcs.

Physical Article Dimensions

Height	40.00 mm
Width	25.00 mm
Depth/length	45.00 mm

Technical Datasheet

Cable Tray System

DF 94-C E4

the photorealistic images are to be considered as reference images

Packing Dimension

1 piece = 1 piece		✓ VP1-smallest packaging unit (PU)		✓ VP1-preferred PU	
Lenght	45.00 mm	Width	25.00 mm	Height	40.00 mm
Gross weight	0,03 kg	Volume	0,000 m ³		
Min. quantity	1.00 pcs.	Max. Quantity	1.00 pcs.		

Tender Text

Cover retaining spring, consisting of hinge and retaining spring with clip function, the hinge fixed on one side enables easy fitting or re-fitting of GRP cable trays without complete removal of the GRP cover from the GRP cable tray. Used for : GRP cover for cable trays BKDR 200 - ... 400
Requirement : 3 pieces per cover
Material : Stainless steel, material no. 1.4404, AISI 316L
NIEDAX Model No.: DF 94-C E4
EP material_____ EP wage_____
Unit price/piece

Safety & Environment

REACH Date	25.06.2025
REACH Info	Conformable
RoHS Info	Conformable

Origin & International Trade

Country of origin	
Customs tariff number	73089098