

**GRP-Overhead Hanger**

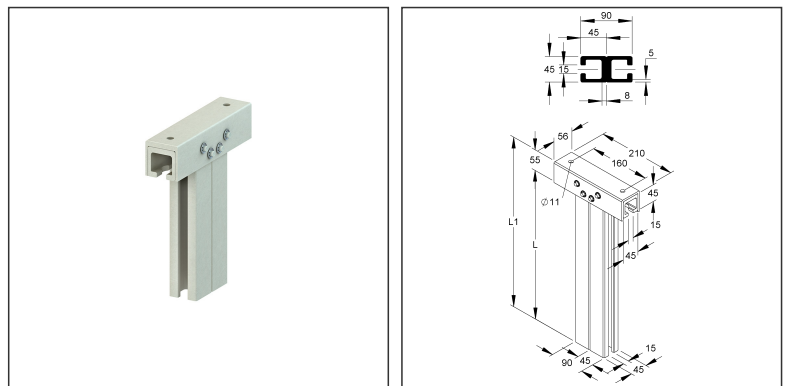
pultruded, double C-profile

**FPDS 400/AC**

EAN Code: 4013339955909

Smallest packaging unit: 1 pc.

the photorealistic images are to be considered as reference images



**Article Description**

GRP-overhead hanger, double C-profile, 90x45x400 mm, glass fiber reinforced polyester, pultruded, RAL 7032, pebble grey

**Excl. Accessories**

exclusive bolting      Required fixing accessories FPBGV 10 E4 (please order separately).

**Additional Price Information**

Article group      N15  
 quantity unit      pcs.

**Weight**

Weight per quantity unit      1,750 kg/ pcs.  
 Weight in kg per 100      175 kg/ 100pcs.

# Technical Datasheet

## Supporting structure

FPDS 400/AC

the photorealistic images are to be considered as reference images

### Physical Article Dimensions

Height	45.00 mm
Width	90.00 mm
Depth/length	400 mm

### Packing Dimension

<b>1 piece = 1 piece</b>		✓ VP1-smallest packaging unit ( PU)			
Lenght	400 mm	Width	90.00 mm	Height	45.00 mm
Gross weight	1,75 kg	Volume	0,002 m <sup>3</sup>		
Min. quantity	1.00 pcs.	Max. Quantity	1.00 pcs.		

### Tender Text

GRP overhead hanger, pultruded, manufactured with particularly durable acrylic resin, two vertical double C-profiles with screwed-on horizontal C-profile fastening rail, for mounting both sides of the bracket, please order FPBGV 10 E4 fastening accessories separately, halogen-free. The load specifications on tension are only valid with sufficient anchoring to the supporting substrate. The introduction of the loads into the structure must be agreed with the site management. The applicable guidelines and regulations must be observed.

Use for : Bracket FPAM.../AC ≤ 300 mm length  
FPAP.../AC ≤ 600 mm length

Dimensions (approx. Dimensions)

Fastening rail C-profile H x W x L : 53 x 53 x 210 mm Fastening holes : 2 x Ø 11 mm

centre distance : 160 mm

two vertical C-profiles H x W x L each : 45 x 45 x 400 mm Material thickness C-profile leg : 5 mm

Material thickness C-profile back : 8 mm

Slot width : 15 mm

total length of suspension rod L1 : 455 mm

maximum tensile load on both sides : 1.5 kN each

Material : UP-GF (glass fibre reinforced polyester)

Colour : pebble grey RAL : 7032 (similar)

NIEDAX Model no. : FPDS 400/AC

EP Material\_\_\_\_\_ EP Wage\_\_\_\_\_

Unit price/piece

### Safety & Environment

REACH Date	25.06.2025
REACH Info	Conformable
RoHS Info	Conformable

### Origin & International Trade

Country of origin	FR
Customs tariff number	39259020