

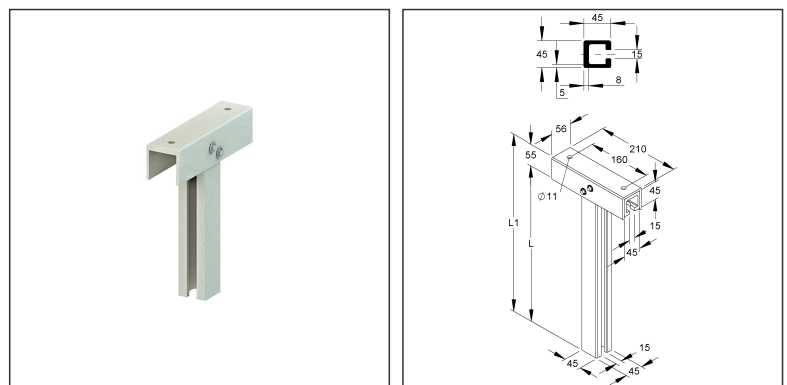
GRP-Overhead Hanger

pultruded, C-profile

FPES 200/AC

EAN Code: 4013339955923
 Smallest packaging unit: 1 pc.

the photorealistic images are to be considered as reference images



Article Description

GRP Overhead hanger, C-profile, 45x45x200 mm, Polyester glasfaserverstärkt, pultrudiert, RAL 7032, kieselgrau

Excl. Accessories

exclusive bolting Required fixing accessories FPBGV 10 E4 (please order separately).

Additional Price Information

Article group N15
 quantity unit pcs.

Weight

Weight per quantity unit 750 g / pcs.
 Weight in kg per 100 75 kg / 100pcs.

Technical Datasheet

Supporting structure

FPES 200/AC

the photorealistic images are to be considered as reference images

Physical Article Dimensions

Height	65.00 mm
Width	210 mm
Depth/length	200.00 mm

Packing Dimension

1 piece = 1 piece		✓ VP1-smallest packaging unit (PU)			
Lenght	200.00 mm	Width	210 mm	Height	65.00 mm
Gross weight	0,75 kg	Volume	0,003 m³		
Min. quantity	1.00 pcs.	Max. Quantity	1.00 pcs.		

Tender Text

GRP overhead hanger, pultruded, manufactured with particularly durable acrylic resin, vertical C-profile with screwed-on horizontal C-profile fastening rail, for single-sided bracket fastening, please order FPBGV 10 E4 proportionate fastening accessories separately, halogen-free. GRP overhead hanger FPES 200/AC has a limited amount of space for cable tray equipment ("L" suspension bracket minus "H" bracket). The load specifications on tension are only valid with sufficient anchoring to the load-bearing substrate. The introduction of the loads into the structure must be agreed with the site management. The applicable guidelines and regulations must be observed.

Application for : Bracket FPAM.../AC

FPAP.../AC

Dimensions (approx. dimensions)

Fastening rail C-profile H x W x L : 53 x 53 x 210 mm Fastening holes : 2 x Ø 11 mm

Centre distance : 160 mm

Vertical C-profile H x W x L : 45 x 45 x 200 mm

Material thickness C-profile Leg : 5 mm

Material thickness C-profile back : 8 mm

Slot width : 15 mm

Total length hanging handle L1 : 255 mm

Maximum tensile load : 1,5 kN

Material : UP-GF (glass fibre reinforced polyester)

Colour : pebble grey RAL : 7032 (similar)

NIEDAX Model no. : FPES 200/AC

EP Material _____ EP Wage _____

Unit price/piece

Safety & Environment

REACH Date	25.06.2025
REACH Info	Conformable
RoHS Info	Conformable

Origin & International Trade

Country of origin	FR
Customs tariff number	39259020