

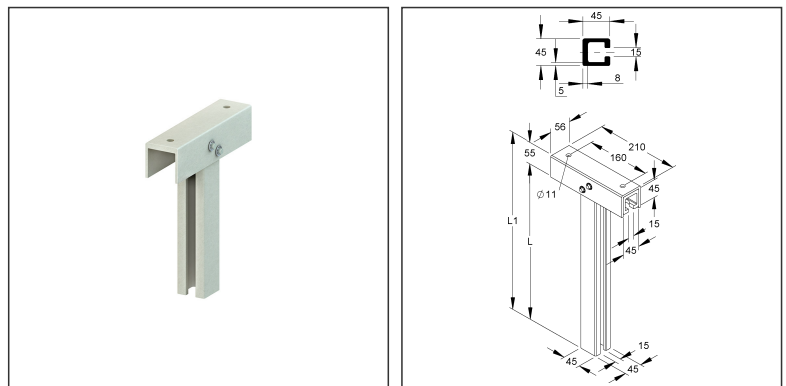
**GRP-Overhead Hanger**

pultruded, C-profile

**FPES 400/AC**

EAN Code: 4013339955947  
Smallest packaging unit: 1 pc.

the photorealistic images are to be considered as reference images



**Article Description**

GRP Overhead hanger, C-profile, 45x45x400 mm, Polyester glasfaserverstärkt, pultrudiert, RAL 7032, kieselgrau

**Excl. Accessories**

exclusive bolting      Required fixing accessories FPBGV 10 E4 (please order separately).

**Additional Price Information**

Article group      N15  
quantity unit      pcs.

**Weight**

Weight per quantity unit      1,100 kg/ pcs.  
Weight in kg per 100      110 kg/ 100pcs.

# Technical Datasheet

## Supporting structure

FPES 400/AC

the photorealistic images are to be considered as reference images

### Physical Article Dimensions

Height	65.00 mm
Width	210 mm
Depth/length	400 mm

### Packing Dimension

<b>1 piece = 1 piece</b>		✓ VP1-smallest packaging unit ( PU)			
Lenght	400 mm	Width	210 mm	Height	65.00 mm
Gross weight	1,1 kg	Volume	0,005 m <sup>3</sup>		
Min. quantity	1.00 pcs.	Max. Quantity	1.00 pcs.		

### Tender Text

GRP overhead hanger, pultruded, manufactured with particularly durable acrylic resin, vertical C-profile with screwed-on horizontal C-profile fastening rail, for single-sided bracket fastening, please order FPBGV 10 E4 proportionate fastening accessories separately, halogen-free. The load specifications on tension are only valid with sufficient anchoring to the load-bearing substrate. The introduction of the loads into the structure must be agreed with the site management. The applicable guidelines and regulations must be observed.

Application for : Bracket FPAM.../AC  
FPAP.../AC

Dimensions (approx. dimensions)  
Fastening rail C-profile H x W x L : 53 x 53 x 210 mm Fastening holes : 2 x Ø 11 mm  
Centre distance : 160 mm  
Vertical C-profile H x W x L : 45 x 45 x 400 mm  
Material thickness C-profile Leg : 5 mm  
Material thickness C-profile back : 8 mm  
Slot width : 15 mm  
Total length hanging handle L1 : 455 mm  
Maximum tensile load : 1,5 kN  
Material : UP-GF (glass fibre reinforced polyester)  
Colour : pebble grey RAL : 7032 (similar)  
NIEDAX Model no. : FPES 400/AC  
EP Material\_\_\_\_\_ EP Wage\_\_\_\_\_  
Unit price/piece

### Safety & Environment

REACH Date	25.06.2025
REACH Info	Conformable
RoHS Info	Conformable

### Origin & International Trade

Country of origin	FR
Customs tariff number	39259020