

GRP-Elbow 90°, small

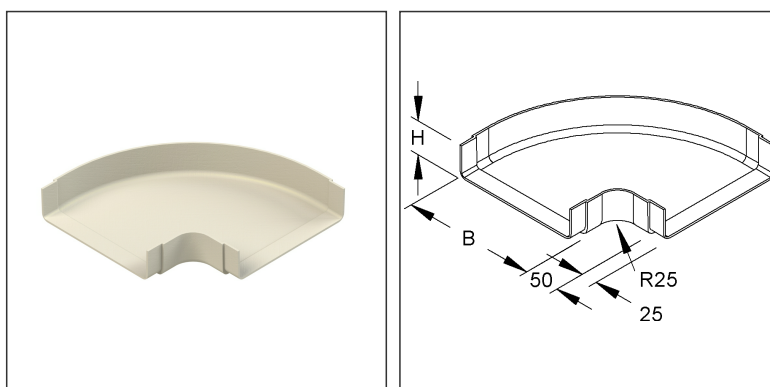
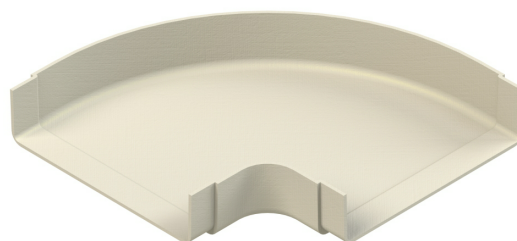
pressed, with unperforated side rails, with moulded connector

KKW 50.050

EAN Code: 4013339953646

Smallest packaging unit: 1 pc.

the photorealistic images are to be considered as reference images



Article Description

GRP-elbow 90° for cable tray, small, 50x50 mm, Polyester glasfaserverstärkt, gepresst, RAL 7032, kieselgrau

Additional Price Information

| | |
|---------------|------|
| Article group | N15 |
| quantity unit | pcs. |

Weight

| | |
|--------------------------|-----------------|
| Weight per quantity unit | 100 g / pcs. |
| Weight in kg per 100 | 10 kg / 100pcs. |

Physical Article Dimensions

| | |
|--------------|-----------|
| Height | 50.00 mm |
| Width | 125.00 mm |
| Depth/length | 125.00 mm |

Technical Datasheet

Cable Tray System

KKW 50.050

the photorealistic images are to be considered as reference images

Packing Dimension

| | | | | | |
|--------------------------|-----------|-------------------------------------|----------------------|--------|----------|
| 1 piece = 1 piece | | ✓ VP1-smallest packaging unit (PU) | | | |
| Lenght | 125.00 mm | Width | 125.00 mm | Height | 50.00 mm |
| Gross weight | 0,1 kg | Volume | 0,001 m ³ | | |
| Min. quantity | 1.00 pcs. | Max. Quantity | 1.00 pcs. | | |

Tender Text

GRP elbow 90°, small, pressed, with unperforated side rails and moulded-on connector, for creating horizontal 90° elbow joints of cable trays, please order proportional fastening accessories separately, halogen-free. During assembly, ensure that the elbow is supported with brackets at each cable tray access point. To ensure proper installation, the connectors must be screwed to each cable tray access with 2 FKM 6X16 E4 (please order separately).
Article available in various resin mixtures.
Used for : GRP cable tray KK 50...
GRP cable tray KKL 50...
Dimensions (approx. dimensions)
H x W : 50 x 50 mm
Inner beam radius R : 25 mm
Material : UP-GF (glass fibre reinforced polyester)
Colour : pebble grey
RAL : 7032 (similar)
NIEDAX Model no. : KKW 50.050
EP Material _____ EP Wage _____
Unit price/piece

Safety & Environment

| | |
|------------|-------------|
| REACH Date | 25.06.2025 |
| REACH Info | Conformable |
| RoHS Info | Conformable |

Origin & International Trade

| | |
|-----------------------|----------|
| Country of origin | FR |
| Customs tariff number | 39259020 |

Related items

Cover

| Model No. | Description |
|-----------|---|
| KKWD 50 | GRP-cover for elbow 90°, small, width 50 mm, Polyester glasfaserverstärkt, gepresst, RAL 7032, kieselgrau |