

GRP-Elbow 90°, small

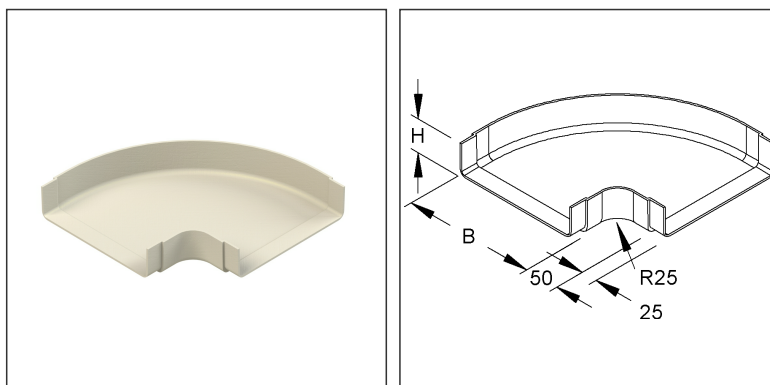
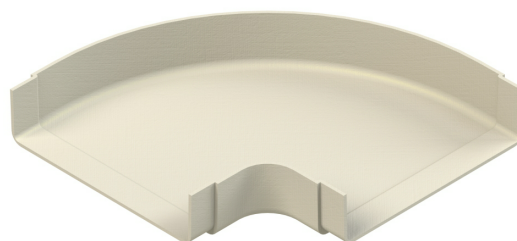
pressed, with unperforated side rails, with moulded connector

KKW 50.200

EAN Code: 4013339953677

Smallest packaging unit: 1 pc.

the photorealistic images are to be considered as reference images



Article Description

GRP-elbow 90° for cable tray, small, 50x200 mm, Polyester glasfaserverstärkt, gepresst, RAL 7032, kieselgrau

Additional Price Information

Article group	N15
quantity unit	pcs.

Weight

Weight per quantity unit	400 g / pcs.
Weight in kg per 100	40 kg / 100pcs.

Technical Datasheet

Cable Tray System

KKW 50.200

the photorealistic images are to be considered as reference images

Physical Article Dimensions

Height	50.00 mm
Width	275 mm
Depth/length	275 mm

Packing Dimension

1 piece = 1 piece		✓ VP1-smallest packaging unit (PU)			
Lenght	275 mm	Width	275 mm	Height	50.00 mm
Gross weight	0,4 kg	Volume	0,004 m ³		
Min. quantity	1.00 pcs.	Max. Quantity	1.00 pcs.		

Tender Text

GRP elbow 90°, small, pressed, with unperforated side rails and moulded-on connector, for creating horizontal 90° elbow joints of cable trays, please order proportional fastening accessories separately, halogen-free. During assembly, ensure that the elbow is supported with brackets at each cable tray access point. To ensure proper installation, the connectors must be screwed to each cable tray access with 2 FKM 6X16 E4 (please order separately).
Article available in various resin mixtures.
Used for : GRP cable tray KK 50...
GRP cable tray KKL 50...
Dimensions (approx. dimensions)
H x W : 50 x 200 mm
Inner beam radius R : 25 mm
Material : UP-GF (glass fibre reinforced polyester)
Colour : pebble grey
RAL : 7032 (similar)
NIEDAX Model no. : KKW 50.200
EP Material _____ EP Wage _____
Unit price/piece

Safety & Environment

REACH Date	25.06.2025
REACH Info	Conformable
RoHS Info	Conformable

Origin & International Trade

Country of origin	FR
Customs tariff number	39259020

Related items

Cover

Model No.	Description
KKWD 200	GRP-cover for elbow 90°, small, width 200 mm, Polyester glasfaserverstärkt, gepresst, RAL 7032, kieselgrau