

### GRP-Cable Routing Duct

pultruded, with bottom perforation, with cover

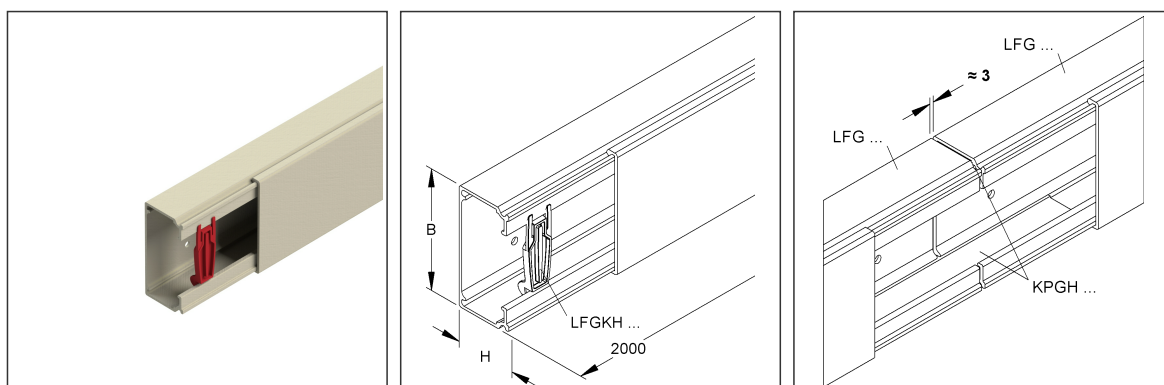
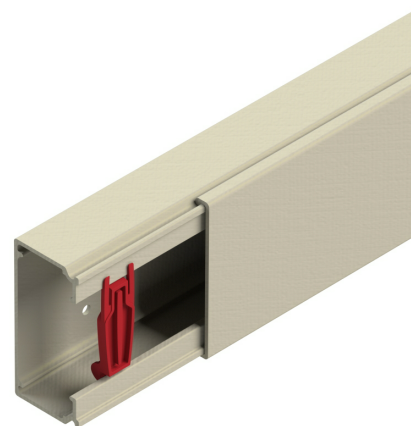
### LFG 50.150

EAN Code: 4013339948581

Smallest packaging unit: 2 m

quantity unit: m M

the photorealistic images are to be considered as reference images



#### Article Description

GRP-cable routing duct with cover, 50x150x2000 mm, glass fiber reinforced polyester, pultruded, RAL 7032, pebble grey

#### Incl. accessories

4 LFGKH 150

#### Additional Price Information

Article group	N15
quantity unit	m

#### Weight

Weight per quantity unit	2,050 kg / m
Weight in kg per 100	205 kg / 100m

# Technical Datasheet

## Cable routing duct

LFG 50.150

the photorealistic images are to be considered as reference images

### Physical Article Dimensions

Height	50.00 mm
Width	150.00 mm
Depth/length	2000 mm

### Packing Dimension

<b>2 meters = 1 piece</b>		✓ VP1-smallest packaging unit ( PU)		✓ VP1-preferred PU	
Lenght	2000 mm	Width	150.00 mm	Height	50.00 mm
Gross weight	4,1 kg	Volume	0,015 m <sup>3</sup>		
Min. quantity	2.00 m	Max. Quantity	2.00 m		

<b>270 meters = 1 rack</b>					
Lenght	2000 mm	Width	1162 mm	Height	1120 mm
Gross weight	652 kg	Volume	2,603 m <sup>3</sup>		
Min. Quantity	270.00 m	Max. Quantity	270.00 m		

### Tender Text

GRP cable routing duct, pultruded, with cover and three-row fastening holes in the bottom, including 4 cable retaining clips LFGKH ... each 2 m delivery length, halogen-free.

Cable retaining clips : 4 x LFGKH 150

Dimensions (approx. dimensions) H x W : 50 x 150 mm

Material thickness t : 2.5 mm

three-row fastening holes in the bottom : Ø 6 mm Bottom hole distance : 190 mm

Row distance : 40 mm

Delivery length : 2000 mm

Usable cross-section : 4350 mm<sup>2</sup>

Material : UP-GF (glass-fibre reinforced polyester)

Colour : pebble grey RAL : 7032 (similar)

Material cable retaining clip : PC (polycarbonate)

Colour : ruby red RAL : 3003 (similar)

NIEDAX Model no. : LFG 50.150

EP Material\_\_\_\_\_ EP Wage\_\_\_\_\_

Unit price/meter

### Safety & Environment

REACH Date	25.06.2025
REACH Info	Conformable
RoHS Info	Conformable

### Origin & International Trade

Country of origin	FR
Customs tariff number	39259020

# Technical Datasheet

## Cable routing duct

LFG 50.150

the photorealistic images are to be considered as reference images

### Related items

#### Barrier strip

Model No.	Description
FKM 6X20 E4	Cup screw with slot, nut, washer, DIN 7093-1, M6, length =20 mm, Edelstahl, Werkstoff-Nr.: 1.4401, 1.4404, inkl. Mutter u. Scheibe
LFGT 50	GRP-barrier strip, 50x2000 mm, glass fiber reinforced polyester, pultruded, RAL 7032, pebble grey
LFGT 50/M	GRP-barrier strip, 50x2000 mm, pre-assembled, glass fiber reinforced polyester, pultruded, RAL 7032, pebble grey