

GRP-Cable Routing Duct

pultruded, with bottom perforation, with cover

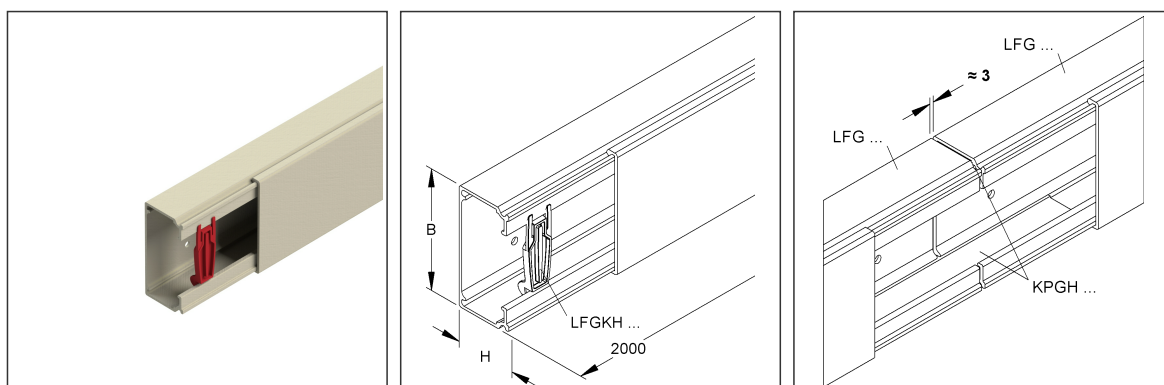
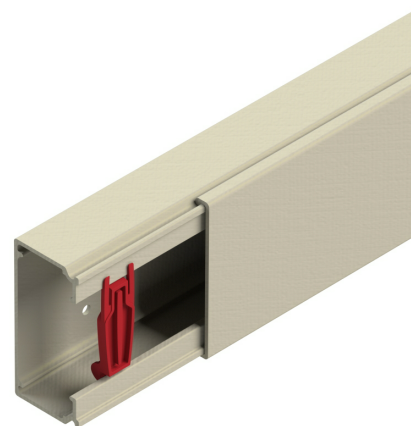
LFG 50.200

EAN Code: 4013339948598

Smallest packaging unit: 2 m

quantity unit: m M

the photorealistic images are to be considered as reference images



Article Description

GRP-cable routing duct with cover, 50x200x2000 mm, glass fiber reinforced polyester, pultruded, RAL 7032, pebble grey

Incl. accessories

4 LFGKH 200

Additional Price Information

Article group	N15
quantity unit	m

Weight

Weight per quantity unit	2,650 kg / m
Weight in kg per 100	265 kg / 100m

Technical Datasheet

Cable routing duct

LFG 50.200

the photorealistic images are to be considered as reference images

Physical Article Dimensions

Height	50.00 mm
Width	200.00 mm
Depth/length	2000 mm

Packing Dimension

2 meters = 1 piece		✓ VP1-smallest packaging unit (PU)		✓ VP1-preferred PU	
Lenght	2000 mm	Width	200.00 mm	Height	50.00 mm
Gross weight	5,3 kg	Volume	0,020 m ³		
Min. quantity	2.00 m	Max. Quantity	2.00 m		

180 meters = 1 rack					
Lenght	2000 mm	Width	1162 mm	Height	1120 mm
Gross weight	575 kg	Volume	2,603 m ³		
Min. Quantity	180.00 m	Max. Quantity	180.00 m		

Tender Text

GRP cable routing duct, pultruded, with cover and four-row fastening holes in the bottom, including 4 cable retaining clips LFGKH ... each 2 m delivery length, halogen-free.

Cable retaining clips : 4 x LFGKH 200

Dimensions (approx. dimensions) H x W : 50 x 200 mm

Material thickness t : 2.5 mm

four-row fastening holes in the bottom : Ø 6 mm Bottom hole distance : 190 mm

Row distance : 40 mm

Delivery length : 2000 mm

Usable cross-section : 5850 mm²

Material : UP-GF (glass fibre reinforced polyester)

Colour : pebble grey RAL : 7032 (similar)

Material cable retaining clip : PC (polycarbonate)

Colour : ruby red RAL : 3003 (similar)

NIEDAX Model no. : LFG 50.200

EP Material_____ EP Wage_____

Unit price/meter

Safety & Environment

REACH Date	25.06.2025
REACH Info	Conformable
RoHS Info	Conformable

Origin & International Trade

Country of origin	FR
Customs tariff number	39259020

Technical Datasheet

Cable routing duct

LFG 50.200

the photorealistic images are to be considered as reference images

Related items

Barrier strip

Model No.	Description
FKM 6X20 E4	Cup screw with slot, nut, washer, DIN 7093-1, M6, length =20 mm, Edelstahl, Werkstoff-Nr.: 1.4401, 1.4404, inkl. Mutter u. Scheibe
LFGT 50	GRP-barrier strip, 50x2000 mm, glass fiber reinforced polyester, pultruded, RAL 7032, pebble grey
LFGT 50/M	GRP-barrier strip, 50x2000 mm, pre-assembled, glass fiber reinforced polyester, pultruded, RAL 7032, pebble grey