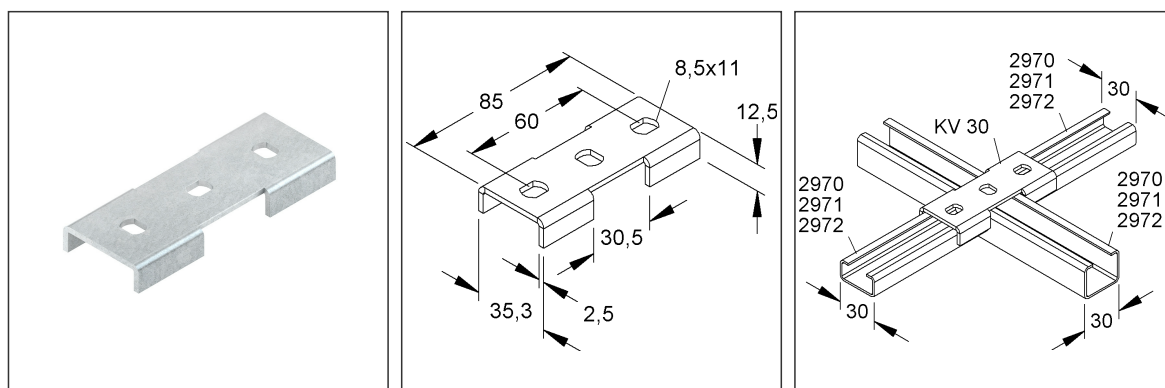
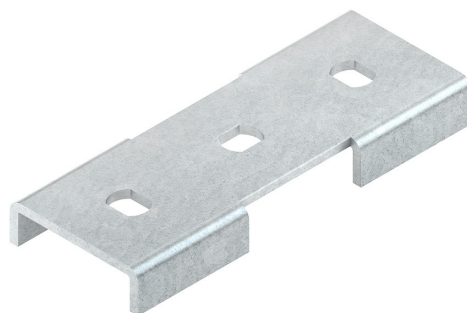


**Cross Connector**

**KV 30**

EAN Code: 4013339159307  
 Smallest packaging unit: 100 pcs.

the photorealistic images are to be considered as reference images



**Article Description**

Cross connector for C-profiles with 30 mm rail width, steel, galvanised acc. to DIN EN ISO 19598, thick-film passivated

**Weight**

Weight per quantity unit	70 g / pcs.
Weight in kg per 100	6,91 kg / 100pcs.

**Physical Article Dimensions**

Height	12.50 mm
Width	35.30 mm
Depth/length	85.00 mm

**Additional Price Information**

Article group	N14
quantity unit	pcs.

# Technical Datasheet

## Niedax rails

KV 30

the photorealistic images are to be considered as reference images

### Packing Dimension

<b>100 pieces = 1 carton</b>		✓ VP1-smallest packaging unit ( PU)		✓ VP1-preferred PU	
Lenght	250 mm	Width	250 mm	Height	100.00 mm
Gross weight	7,28 kg	Volume	0,006 m <sup>3</sup>		
Min. quantity	100.00 pcs.	Max. Quantity	100.00 pcs.		

<b>7200 pieces = 1 pallet</b>					
Lenght	1200 mm	Width	800 mm	Height	1000 mm
Gross weight	539 kg	Volume	0,960 m <sup>3</sup>		
Min. Quantity	7.200.00 pcs.	Max. Quantity	7.200.00 pcs.		

### Tender Text

Cross connector, for connecting intersecting C-profiles with a width of 30 mm. Please order screws and sliding nuts separately.  
 Used for: U-profiles 2970, 2971 and 2972 with 30 mm width  
 Dimensions (approx. dimensions)  
 Length L x width W : 85 x 35.3 mm  
 Height H : 12.5 mm  
 Material thickness t : 2.5 mm  
 Fixing holes : 3 x 8.5 x 11 mm  
 centre distance : 30 mm  
 Material : steel, electro galvanised according to DIN EN ISO 19598, thick-film passivated  
 NIEDAX Model-No. : KV 30  
 EP Material \_\_\_\_\_ EP Lohn \_\_\_\_\_  
 Unit price/piece

### Safety & Environment

REACH Date	25.06.2025
REACH Info	Conformable
RoHS Info	Conformable

### Origin & International Trade

Country of origin	DE
Customs tariff number	73269098