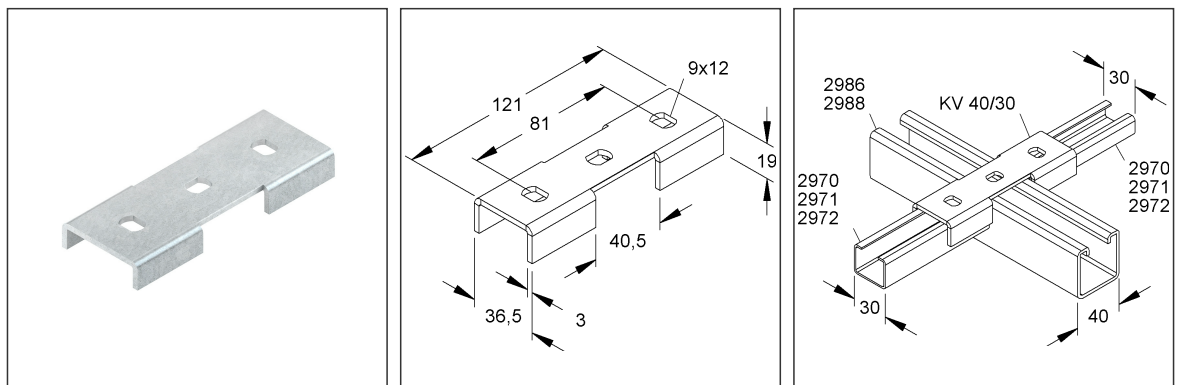
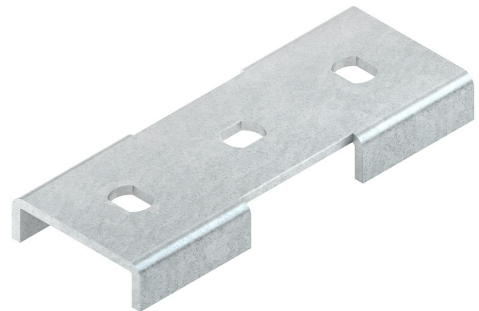


Cross Connector

KV 40/30

EAN Code: 4013339159406
 Smallest packaging unit: 100 pcs.

the photorealistic images are to be considered as reference images



Article Description

Cross connector for C-profiles with 40/30 mm rail width, steel, galvanised acc. to DIN EN ISO 19598, thick-film passivated

Weight

Weight per quantity unit	147 g/ pcs.
Weight in kg per 100	15 kg/ 100pcs.

Physical Article Dimensions

Height	19.00 mm
Width	36.50 mm
Depth/length	121.00 mm

Additional Price Information

Article group	N14
quantity unit	pcs.

Technical Datasheet

Niedax rails

KV 40/30

the photorealistic images are to be considered as reference images

Packing Dimension

100 pieces = 1 carton		✓ VP1-smallest packaging unit (PU)		✓ VP1-preferred PU	
Lenght	420 mm	Width	250 mm	Height	120.00 mm
Gross weight	15 kg	Volume	0,013 m ³		
Min. quantity	100.00 pcs.	Max. Quantity	100.00 pcs.		

1600 pieces = 1					
Lenght	750 mm	Width	750 mm	Height	730 mm
Gross weight	283 kg	Volume	0,411 m ³		
Min. Quantity	1.600.00 pcs.	Max. Quantity	1.600.00 pcs.		

Tender Text

<p>Cross connector, for connecting intersecting C-profiles with a width of 40 mm to C-profiles with a width of 30 mm. Please order screws and sliding nuts separately. Used for: C-profiles 2986 and 2988 with 40 mm width on C-profiles 2970, 2971 and 2972 with 30 mm width Dimensions (approx. dimensions) Length L x width W : 121 x 36.5 mm Height H : 19 mm Material thickness t : 3 mm Fixing holes : 3 x 9 x 12 mm centre distance : 40.5 mm Material : steel, electro galvanised according to DIN EN ISO 19598, thick-film passivated NIEDAX Model-No. : KV 40/30 EP Material_____ EP Lohn_____ Unit price/piece</p>

Safety & Environment

REACH Date	25.06.2025
REACH Info	Conformable
RoHS Info	Conformable

Origin & International Trade

Country of origin	DE
Customs tariff number	73269098