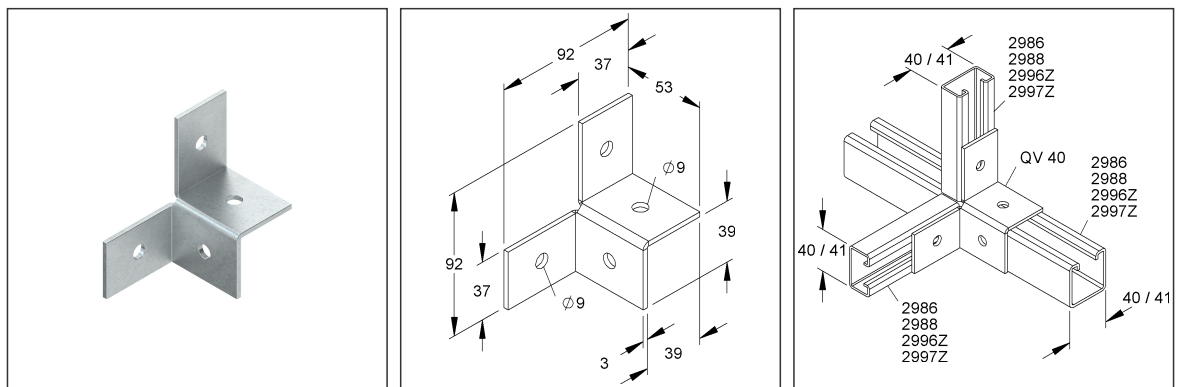


Cross Connector

QV 40

EAN Code: 4013339160303
 Smallest packaging unit: 25 pcs.

the photorealistic images are to be considered as reference images



Article Description

Cross connector, steel, galvanised acc. to DIN EN ISO 19598, thick-film passivated

Weight

Weight per quantity unit	179 g / pcs.
Weight in kg per 100	18 kg / 100pcs.

Physical Article Dimensions

Height	92.00 mm
Width	92.00 mm
Depth/length	53.00 mm

Additional Price Information

Article group	N14
quantity unit	pcs.

Technical Datasheet

Niedax rails

QV 40

the photorealistic images are to be considered as reference images

Packing Dimension

25 pieces = 1 carton		✓ VP1-smallest packaging unit (PU)		✓ VP1-preferred PU	
Lenght	250 mm	Width	250 mm	Height	100.00 mm
Gross weight	4,84 kg	Volume	0,006 m ³		
Min. quantity	25.00 pcs.	Max. Quantity	25.00 pcs.		
1800 pieces = 1 pallet					
Lenght	1200 mm	Width	800 mm	Height	1000 mm
Gross weight	363 kg	Volume	0,960 m ³		
Min. Quantity	1.800.00 pcs.	Max. Quantity	1.800.00 pcs.		

Tender Text

<p>Cross connector, for connecting horizontally and vertically crossing C-profiles with 40 mm width. Please order screws and sliding nuts separately. Used for: C-profiles 2986 and 2988 with 40 mm width C-profiles 2996Z and 2997Z with 41 mm width Dimensions (approx. dimensions) Length L x width W : 53 x 92 mm Height H : 92 mm Material thickness t : 3 mm Fixing holes : Ø 9 mm Material : steel, electro galvanised according to DIN EN ISO 19598, thick-film passivated NIEDAX Model-No. : QV 40 EP Material _____ EP Wage _____ Unit price/piece</p>
--

Safety & Environment

REACH Date	25.06.2025
REACH Info	Conformable
RoHS Info	Conformable

Origin & International Trade

Country of origin	DE
Customs tariff number	73269098