

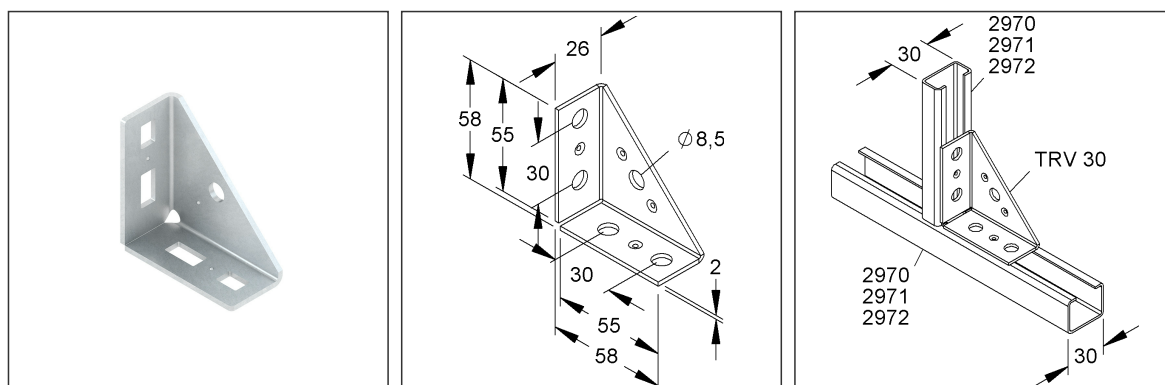
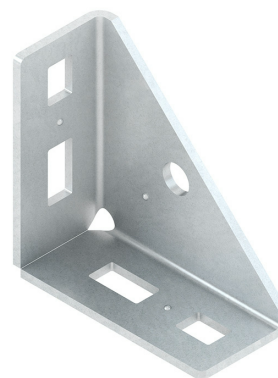
T-Angle Connector

vertical

TRV 30

EAN Code: 4013339159703
Smallest packaging unit: 100 pcs.

the photorealistic images are to be considered as reference images



Article Description

T-angle connector, vertical, steel, galvanised acc. to DIN EN ISO 19598, thick-film passivated

Weight

| | |
|--------------------------|-------------------|
| Weight per quantity unit | 65 g / pcs. |
| Weight in kg per 100 | 6,46 kg / 100pcs. |

Physical Article Dimensions

| | |
|--------------|----------|
| Height | 55.00 mm |
| Width | 26.00 mm |
| Depth/length | 55.00 mm |

Additional Price Information

| | |
|---------------|------|
| Article group | N14 |
| quantity unit | pcs. |

Technical Datasheet

Niedax rails

TRV 30

the photorealistic images are to be considered as reference images

Packing Dimension

| | | | | | |
|-------------------------------|---------------|-------------------------------------|----------------------|--------------------|-----------|
| 100 pieces = 1 carton | | ✓ VP1-smallest packaging unit (PU) | | ✓ VP1-preferred PU | |
| Lenght | 250 mm | Width | 250 mm | Height | 120.00 mm |
| Gross weight | 6,84 kg | Volume | 0,008 m ³ | | |
| Min. quantity | 100.00 pcs. | Max. Quantity | 100.00 pcs. | | |
| 6000 pieces = 1 pallet | | | | | |
| Lenght | 1200 mm | Width | 800 mm | Height | 1000 mm |
| Gross weight | 425 kg | Volume | 0,960 m ³ | | |
| Min. Quantity | 6.000.00 pcs. | Max. Quantity | 6.000.00 pcs. | | |

Tender Text

| |
|--|
| <p>T-angle connector, to connect vertical T-shaped C-profiles with 30 mm width. Screws and sliding nuts to be ordered separately. Used for : C-profiles 2970, 2971 and 2972 Dimensions (approx.) Length L x width W : 58 x 26 mm Height H : 58 mm Material thickness t : 2 mm Fixing holes : Ø 8.5 mm centre distance : 30 mm diagonal centre fixing holes : Ø 8.5 mm Material : steel, electro galvanised according to DIN EN ISO 19598, thick-film passivated NIEDAX Model-No. : TRV 30 EP Material _____ EP Wage _____ Unit price/piece</p> |
|--|

Safety & Environment

| | |
|------------|-------------|
| REACH Date | 25.06.2025 |
| REACH Info | Conformable |
| RoHS Info | Conformable |

Origin & International Trade

| | |
|-----------------------|----------|
| Country of origin | DE |
| Customs tariff number | 73089059 |