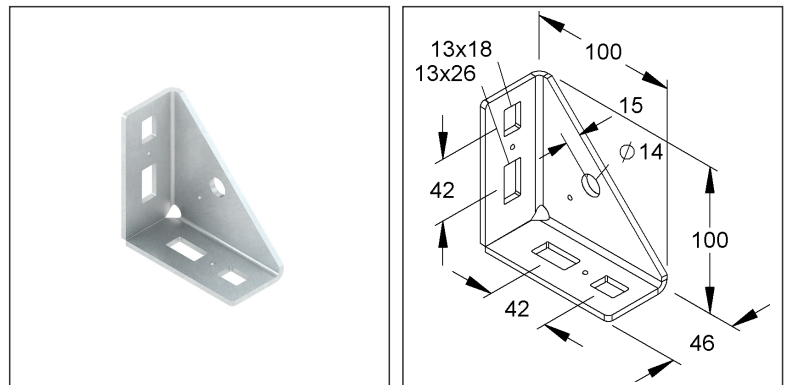
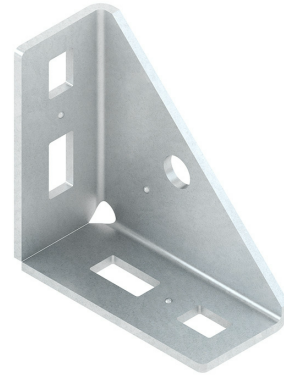


Angle Connector

TRV 40

EAN Code: 4013339891795
 Smallest packaging unit: 10 pcs.

the photorealistic images are to be considered as reference images



Article Description

Angle connector for profile U 5050, U 6040, steel, hot dip galvanised DIN EN ISO 1461

Excl. Accessories

exclusive bolting Fixing accessories must be ordered separately depending on the application.

Additional Price Information

Article group	N13
quantity unit	pcs.

Weight

Weight per quantity unit	411 g / pcs.
Weight in kg per 100	41 kg / 100pcs.

Technical Datasheet

Supporting structure

TRV 40

the photorealistic images are to be considered as reference images

Physical Article Dimensions

Height	100.00 mm
Width	46.00 mm
Depth/length	100.00 mm

Packing Dimension

10 pieces = 1 carton		✓ VP1-smallest packaging unit (PU)	✓ VP1-preferred PU		
Lenght	205 mm	Width	120.00 mm	Height	80.00 mm
Gross weight	4,25 kg	Volume	0,002 m ³		
Min. quantity	10.00 pcs.	Max. Quantity	10.00 pcs.		

2100 pieces = 1 pallet					
Lenght	1200 mm	Width	800 mm	Height	1000 mm
Gross weight	908 kg	Volume	0,960 m ³		
Min. Quantity	2.100.00 pcs.	Max. Quantity	2.100.00 pcs.		

Tender Text

Angle connector, equal-sided and closed on one side, for connecting U-profiles, anchor channels/C-profile or for use as node angle for suspension systems, please order fastening accessories in hot-dip galvanised separately depending on the application.

Used for: profile U 5050/...

U 6040/...

C-profiles : 29.../...

Dimensions (approx. dimensions)

Leg length : 100 x 100 mm

Leg width : 46 mm

Material thickness t : 4 mm

Bef. perforation per side : 13 x 18 mm and 13 x 26 mm

central distance : 42 mm

angle bisecting perforation, closed side : Ø 14 mm

Distance from open edge : 15 mm

Material : steel, hot-dip galvanised acc. to DIN EN ISO 1461

NIEDAX Model No. : TRV 40

EP Material _____ EP Wages _____

Unit price/piece

Safety & Environment

REACH Date	25.06.2025
REACH Info	Conformable
RoHS Info	Conformable

Origin & International Trade

Country of origin	DE
Customs tariff number	73089059