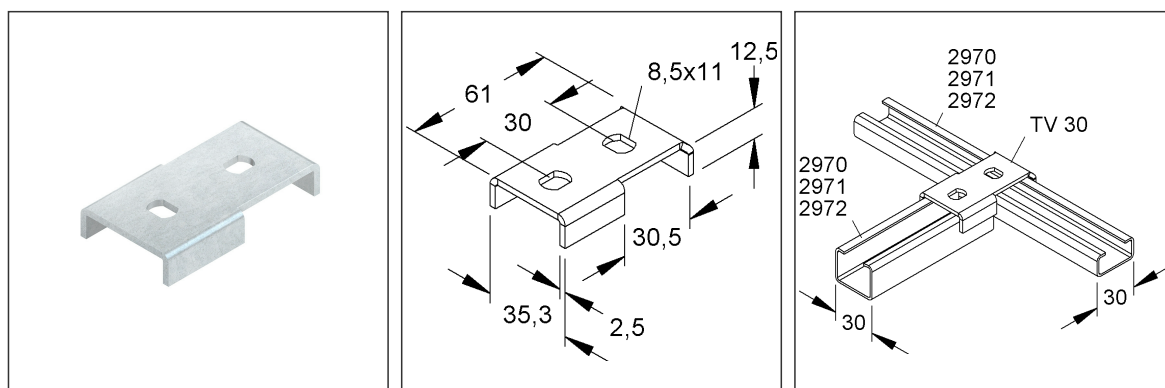
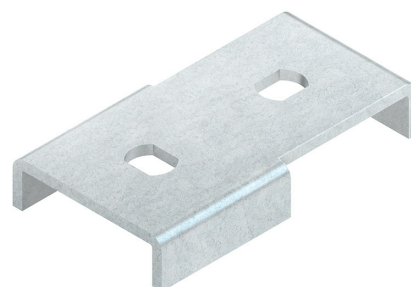


**T-Connector**

**TV 30**

EAN Code: 4013339159208  
 Smallest packaging unit: 100 pcs.

the photorealistic images are to be considered as reference images



**Article Description**

T-connector, for rail width 30 mm, steel, galvanised acc. to DIN EN ISO 19598, thick-film passivated

**Weight**

|                          |                   |
|--------------------------|-------------------|
| Weight per quantity unit | 51 g / pcs.       |
| Weight in kg per 100     | 5,04 kg / 100pcs. |

**Physical Article Dimensions**

|              |          |
|--------------|----------|
| Height       | 12.50 mm |
| Width        | 35.30 mm |
| Depth/length | 61.00 mm |

**Additional Price Information**

|               |      |
|---------------|------|
| Article group | N14  |
| quantity unit | pcs. |

# Technical Datasheet

## Niedax rails

TV 30

the photorealistic images are to be considered as reference images

### Packing Dimension

|                                |                |                                     |                      |                    |          |
|--------------------------------|----------------|-------------------------------------|----------------------|--------------------|----------|
| <b>100 pieces = 1 carton</b>   |                | ✓ VP1-smallest packaging unit ( PU) |                      | ✓ VP1-preferred PU |          |
| Lenght                         | 250 mm         | Width                               | 250 mm               | Height             | 70.00 mm |
| Gross weight                   | 5,26 kg        | Volume                              | 0,004 m <sup>3</sup> |                    |          |
| Min. quantity                  | 100.00 pcs.    | Max. Quantity                       | 100.00 pcs.          |                    |          |
| <b>10800 pieces = 1 pallet</b> |                |                                     |                      |                    |          |
| Lenght                         | 1200 mm        | Width                               | 800 mm               | Height             | 1000 mm  |
| Gross weight                   | 583 kg         | Volume                              | 0,960 m <sup>3</sup> |                    |          |
| Min. Quantity                  | 10.800.00 pcs. | Max. Quantity                       | 10.800.00 pcs.       |                    |          |

### Tender Text

|   |
|---|
| <p>T-connector, for connecting T-shaped tapered C-profiles with 40 mm width. Please order screws and sliding nuts separately.<br/>Used for : C-profile : 2970, 2971 and 2972 with 30 mm width<br/>Dimensions (approx.)<br/>Length L x width W : 61 x 35.3 mm<br/>Height H : 12.5 mm<br/>Material thickness t : 2.5 mm<br/>Fixing holes : 8.5 x 11 mm<br/>centre distance : 30 mm<br/>Material : steel, electro galvanised acc. to DIN EN ISO 19598, thick-film passivated<br/>NIEDAX Model-No. : TV 30<br/>EP Material _____ EP Lohn _____<br/>Unit price/piece</p> |
|---|

### Safety & Environment

|            |             |
|------------|-------------|
| REACH Date | 25.06.2025  |
| REACH Info | Conformable |
| RoHS Info  | Conformable |

### Origin & International Trade

|                       |          |
|-----------------------|----------|
| Country of origin     | DE       |
| Customs tariff number | 73269098 |