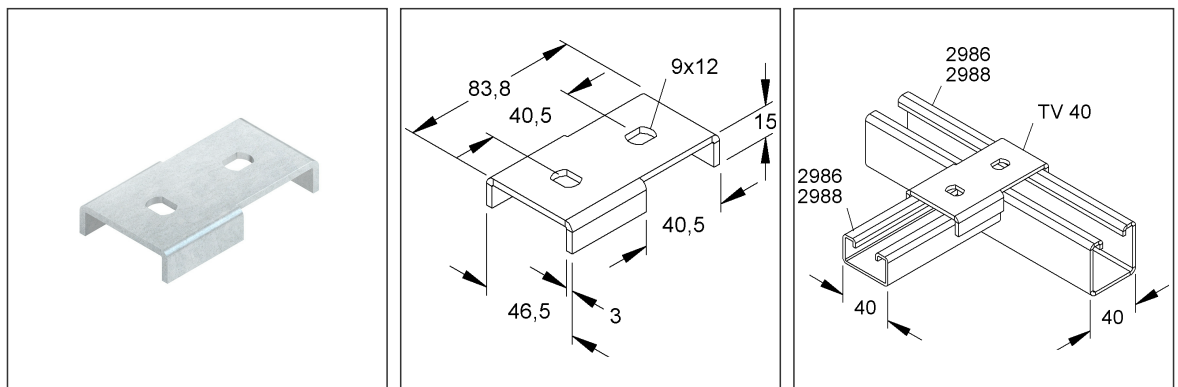
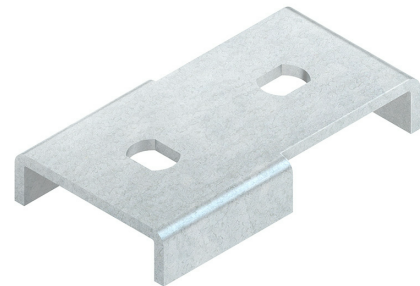


T-Connector

TV 40

EAN Code: 4013339160105
 Smallest packaging unit: 100 pcs.

the photorealistic images are to be considered as reference images



Article Description

T-connector, for rail width 40 mm, steel, galvanised acc. to DIN EN ISO 19598, thick-film passivated

Weight

Weight per quantity unit	109 g / pcs.
Weight in kg per 100	11 kg / 100pcs.

Physical Article Dimensions

Height	14.00 mm
Width	46.50 mm
Depth/length	83.75 mm

Additional Price Information

Article group	N14
quantity unit	pcs.

Technical Datasheet

Niedax rails

TV 40

the photorealistic images are to be considered as reference images

Packing Dimension

100 pieces = 1 carton		✓ VP1-smallest packaging unit (PU)	✓ VP1-preferred PU		
Lenght	350 mm	Width	250 mm	Height	145.00 mm
Gross weight	11 kg	Volume	0,013 m ³		
Min. quantity	100.00 pcs.	Max. Quantity	100.00 pcs.		
1600 pieces = 1					
Lenght	750 mm	Width	750 mm	Height	730 mm
Gross weight	223 kg	Volume	0,411 m ³		
Min. Quantity	1.600.00 pcs.	Max. Quantity	1.600.00 pcs.		

Tender Text

T-connector, for connecting T-shaped tapered C-profiles with 40 mm width. Please order screws and sliding nuts separately. Used for : C-profile : 2986 and 2988 with 40 mm width Dimensions (approx.) Length L x width W : 83.8 x 46.5 mm Height H : 15 mm Material thickness t : 3 mm Fixing holes : 9 x 12 mm centre distance : 40.5 mm Material : steel, electro galvanised acc. to DIN EN ISO 19598, thick-film passivated NIEDAX Model-No. : TV 40 EP Material _____ EP Lohn _____ Unit price/piece

Safety & Environment

REACH Date	25.06.2025
REACH Info	Conformable
RoHS Info	Conformable

Origin & International Trade

Country of origin	DE
Customs tariff number	73269098