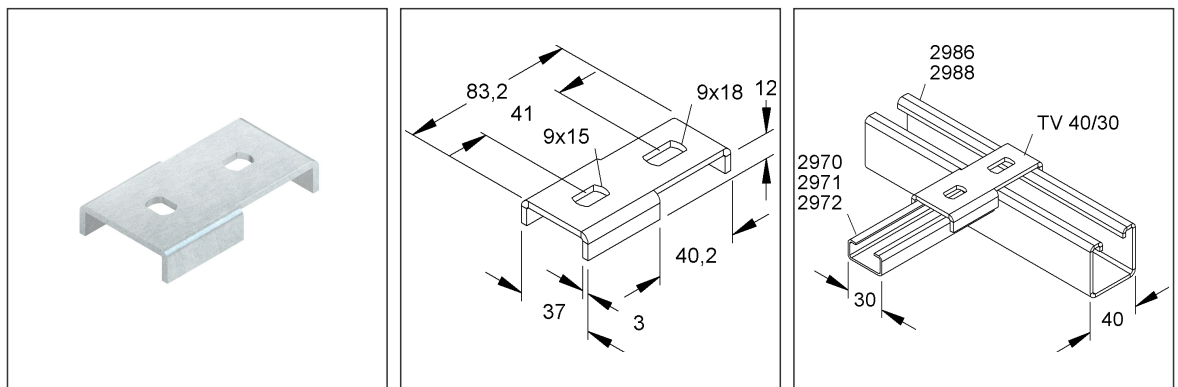
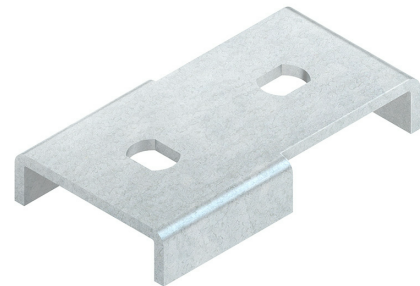


**T-Connector**

**TV 40/30**

EAN Code: 4013339160006  
 Smallest packaging unit: 100 pcs.

the photorealistic images are to be considered as reference images



**Article Description**

T-connector, for rail width 40/30 mm, steel, galvanised acc. to DIN EN ISO 19598, thick-film passivated

**Weight**

Weight per quantity unit	79 g / pcs.
Weight in kg per 100	7,81 kg / 100pcs.

**Physical Article Dimensions**

Height	12.00 mm
Width	37.00 mm
Depth/length	83.20 mm

**Additional Price Information**

Article group	N14
quantity unit	pcs.

# Technical Datasheet

## Niedax rails

TV 40/30

the photorealistic images are to be considered as reference images

### Packing Dimension

<b>100 pieces = 1 carton</b>		✓ VP1-smallest packaging unit ( PU)		✓ VP1-preferred PU	
Lenght	250 mm	Width	250 mm	Height	100.00 mm
Gross weight	8,18 kg	Volume	0,006 m <sup>3</sup>		
Min. quantity	100.00 pcs.	Max. Quantity	100.00 pcs.		
<b>7200 pieces = 1 pallet</b>					
Lenght	1200 mm	Width	800 mm	Height	1000 mm
Gross weight	604 kg	Volume	0,960 m <sup>3</sup>		
Min. Quantity	7.200.00 pcs.	Max. Quantity	7.200.00 pcs.		

### Tender Text

<p>T-connector, for connecting T-shaped C-profiles with 40 mm width to C-profiles with 30 mm width. Please order screws and sliding nuts separately. Used for : C-profiles 2986 and 2988 with 40 mm width on C-profiles 2970, 2971 and 2972 with 30 mm width Dimensions (approx. dimensions) Length L x width W : 83.2 x 37 mm Height H : 12 mm Material thickness t : 3 mm Fixing holes : 9 x 15 mm and 9 x 18 mm centre distance : 41 mm Material : steel, electro galvanised acc. to DIN EN ISO 19598, thick-film passivated NIEDAX Model-No. : TV 40/30 EP Material_____ EP Lohn_____ Unit price/piece</p>
--

### Safety & Environment

REACH Date	25.06.2025
REACH Info	Conformable
RoHS Info	Conformable

### Origin & International Trade

Country of origin	DE
Customs tariff number	73269098