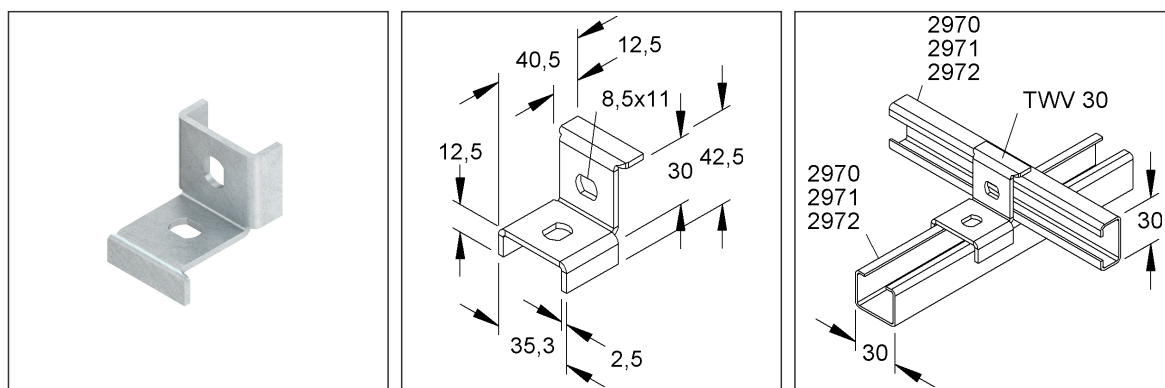
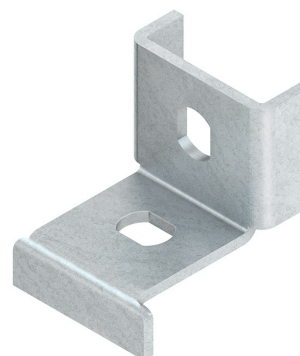


T-Angle Connector

TWV 30

EAN Code: 4013339159505
 Smallest packaging unit: 100 pcs.

the photorealistic images are to be considered as reference images



Article Description

T-angle connector, for rail width 30 mm, steel, galvanised acc. to DIN EN ISO 19598, thick-film passivated

Weight

Weight per quantity unit	49 g / pcs.
Weight in kg per 100	4,89 kg / 100pcs.

Physical Article Dimensions

Height	42.50 mm
Width	35.30 mm
Depth/length	40.50 mm

Additional Price Information

Article group	N14
quantity unit	pcs.

Technical Datasheet

Niedax rails

TWV 30

the photorealistic images are to be considered as reference images

Packing Dimension

100 pieces = 1 carton		✓ VP1-smallest packaging unit (PU)		✓ VP1-preferred PU	
Lenght	250 mm	Width	250 mm	Height	100.00 mm
Gross weight	5,26 kg	Volume	0,006 m ³		
Min. quantity	100.00 pcs.	Max. Quantity	100.00 pcs.		
7200 pieces = 1 pallet					
Lenght	1200 mm	Width	800 mm	Height	1000 mm
Gross weight	394 kg	Volume	0,960 m ³		
Min. Quantity	7.200.00 pcs.	Max. Quantity	7.200.00 pcs.		

Tender Text

<p>T-angle connector, for connecting T-shaped tapered C-profiles with a width of 30 mm. Please order screws and sliding nuts separately. Used for : C-profiles 2970, 2971 and 2972 with 30 mm width Dimensions (approx.) Length L x width W : 40.5 x 35.3 mm Height H : 42.5 mm Material thickness t : 2.5 mm Fixing holes : 8.5 x 11 mm Material : steel, electro galvanized acc. to DIN EN ISO 19598, thick-film passivated NIEDAX model no.: TWV 30 EP material _____ EP wage _____ Unit price/piece</p>

Safety & Environment

REACH Date	25.06.2025
REACH Info	Conformable
RoHS Info	Conformable

Origin & International Trade

Country of origin	DE
Customs tariff number	73269098