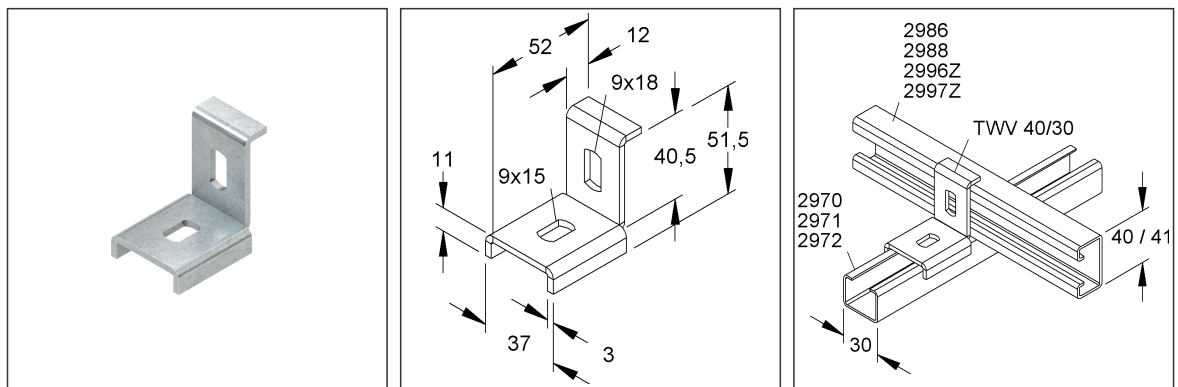
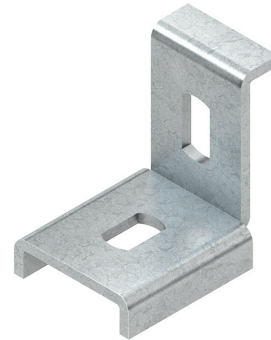


T-Angle Connector

TWV 40/30

EAN Code: 4013339160402
 Smallest packaging unit: 100 pcs.

the photorealistic images are to be considered as reference images



Article Description

T-angle connector, for rail width 40/30 mm, steel, galvanised acc. to DIN EN ISO 19598, thick-film passivated

Weight

Weight per quantity unit	77 g / pcs.
Weight in kg per 100	7,61 kg / 100pcs.

Physical Article Dimensions

Height	51.50 mm
Width	37.00 mm
Depth/length	52.10 mm

Additional Price Information

Article group	N14
quantity unit	pcs.

Technical Datasheet

Niedax rails

TWV 40/30

the photorealistic images are to be considered as reference images

Packing Dimension

100 pieces = 1 carton		✓ VP1-smallest packaging unit (PU)		✓ VP1-preferred PU	
Lenght	250 mm	Width	250 mm	Height	100.00 mm
Gross weight	7,98 kg	Volume	0,006 m ³		
Min. quantity	100.00 pcs.	Max. Quantity	100.00 pcs.		
7200 pieces = 1 pallet					
Lenght	1200 mm	Width	800 mm	Height	1000 mm
Gross weight	589 kg	Volume	0,960 m ³		
Min. Quantity	7.200.00 pcs.	Max. Quantity	7.200.00 pcs.		

Tender Text

<p>T-angle connector, for connecting T-shaped tapered C-profiles with a width of 40/41 mm to C-profiles with a width of 30 mm. Please order screws and sliding nuts separately. Used for : C-profiles 2986 and 2988 with 40 mm width C-profiles 2996Z and 2997Z with 41 mm width on C-profiles 2970, 2971 and 2972 with 30 mm width Dimensions (approx.) Length L x width W : 52 x 37 mm Height H : 51.5 mm Material thickness t : 3 mm Fixing holes : 9 x 15 mm and 9 x 18 mm Material : steel, electro galvanized acc. to DIN EN ISO 19598, thick-film passivated NIEDAX model no. : TWV 40/30 EP material_____ EP Lohn_____ Unit price/piece</p>

Safety & Environment

REACH Date	25.06.2025
REACH Info	Conformable
RoHS Info	Conformable

Origin & International Trade

Country of origin	DE
Customs tariff number	73269098