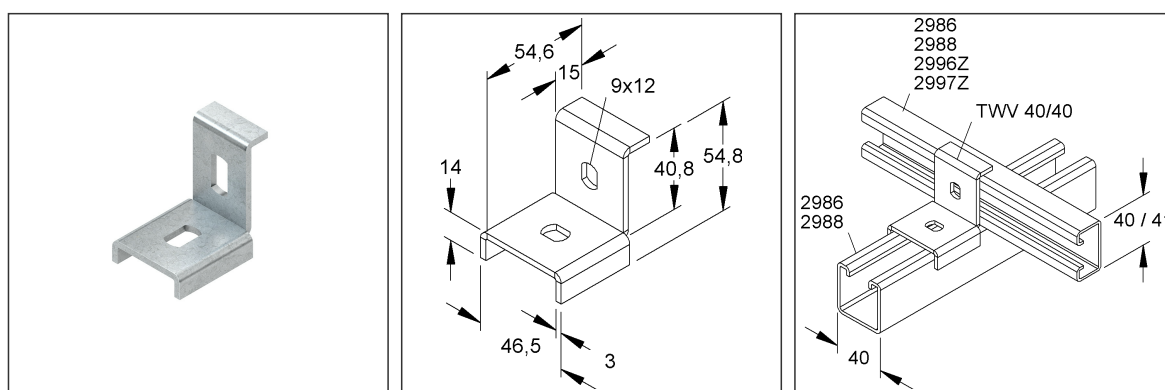
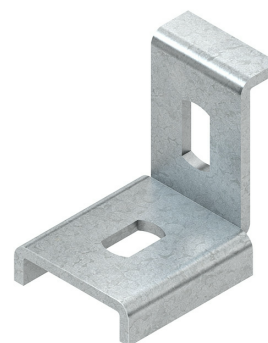


T-Angle Connector

TWV 40/40

EAN Code: 4013339159604
 Smallest packaging unit: 100 pcs.

the photorealistic images are to be considered as reference images



Article Description

T-angle connector, for rail width 40 mm, steel, galvanised acc. to DIN EN ISO 19598, thick-film passivated

Weight

Weight per quantity unit	108 g / pcs.
Weight in kg per 100	11 kg / 100pcs.

Physical Article Dimensions

Height	54.80 mm
Width	46.50 mm
Depth/length	54.60 mm

Additional Price Information

Article group	N14
quantity unit	pcs.

Technical Datasheet

Niedax rails

TWV 40/40

the photorealistic images are to be considered as reference images

Packing Dimension

100 pieces = 1 carton		✓ VP1-smallest packaging unit (PU)		✓ VP1-preferred PU	
Lenght	350 mm	Width	250 mm	Height	145.00 mm
Gross weight	11 kg	Volume	0,013 m ³		
Min. quantity	100.00 pcs.	Max. Quantity	100.00 pcs.		
1600 pieces = 1					
Lenght	750 mm	Width	750 mm	Height	730 mm
Gross weight	220 kg	Volume	0,411 m ³		
Min. Quantity	1.600.00 pcs.	Max. Quantity	1.600.00 pcs.		

Tender Text

T-angle connector, for connecting T-shaped tapered profiles with a width of 40 mm that are at an angle to each other. C-anchor channels with a width of 41 mm can be connected on one side. Screws and sliding nuts please order separately.

Used for :

C-profiles 2986 and 2988 with 40 mm width

C-profiles 2996Z and 2997Z with 41 mm width

Dimensions (approx.)

Length L x width W : 54.6 x 46.5 mm

Height H : 54.8 mm

Material thickness t : 3 mm

Fixing holes : 9 x 12 mm

Material : steel, electro galvanized acc. to DIN EN ISO 19598, thick-film passivated

NIEDAX Model-No. : TWV 40/40

EP Material _____ EP Lohn _____

Unit price/piece

Safety & Environment

REACH Date	25.06.2025
REACH Info	Conformable
RoHS Info	Conformable

Origin & International Trade

Country of origin	DE
Customs tariff number	73269098