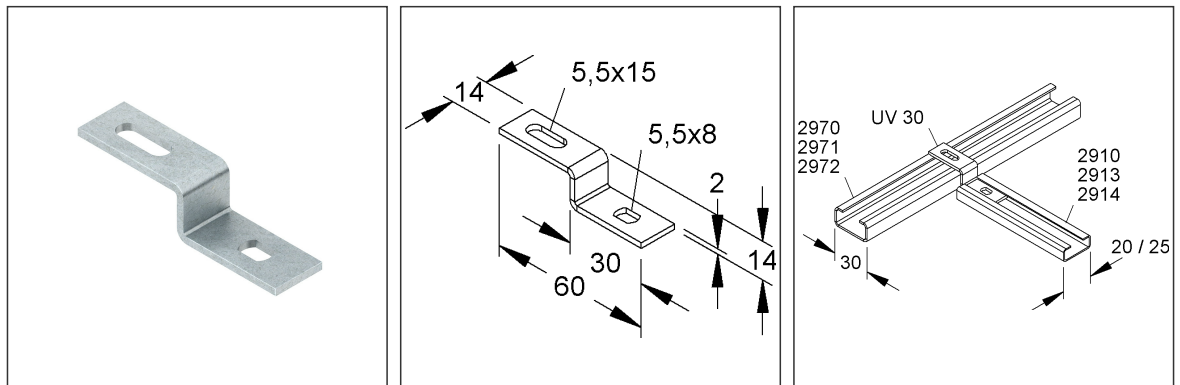
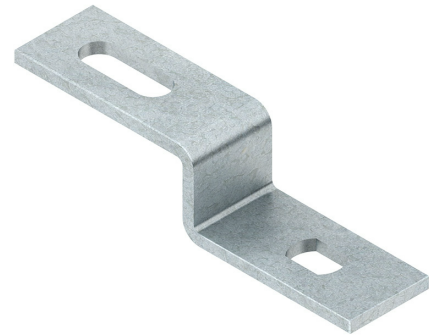


U-Angle

UV 30

EAN Code: 4013339160501
 Smallest packaging unit: 100 pcs.

the photorealistic images are to be considered as reference images



Article Description

U-angle, steel, galvanised acc. to DIN EN ISO 19598, thick-film passivated

Weight

Weight per quantity unit	14 g / pcs.
Weight in kg per 100	1,36 kg / 100pcs.

Physical Article Dimensions

Height	14.00 mm
Width	14.00 mm
Depth/length	60.00 mm

Additional Price Information

Article group	N14
quantity unit	pcs.

Technical Datasheet

Niedax rails

UV 30

the photorealistic images are to be considered as reference images

Packing Dimension

100 pieces = 1		✓ VP1-smallest packaging unit (PU)		✓ VP1-preferred PU	
Lenght	138.00 mm	Width	96.00 mm	Height	71.00 mm
Gross weight	1,42 kg	Volume	0,001 m ³		
Min. quantity	100.00 pcs.	Max. Quantity	100.00 pcs.		
18000 pieces = 1					
Lenght	750 mm	Width	750 mm	Height	730 mm
Gross weight	296 kg	Volume	0,411 m ³		
Min. Quantity	18.000.00 pcs.	Max. Quantity	18.000.00 pcs.		

Tender Text

U-angle, for connecting T-shaped tapered C-profiles with 20 mm or 25 mm width to C-profiles with 30 mm width.
 Please order screws and sliding nuts separately.
 Used for :
 C-profiles 2910, 2913 and 2914 with 20 mm or 25 mm width
 to
 C-profiles 2970, 2971 and 2972 with 30 mm width
 For supporting the parapet panelling against the wall
 Dimensions (approx.)
 Length L x width W : 60 x 14 mm
 Height H : 14 mm
 Material thickness t : 2 mm
 Fixing holes : 5.5 x 8 mm and 5.5 x 15 mm
 Material : steel, electro galvanised according to DIN EN ISO 19598, thick-film passivated
 NIEDAX Model-No. : UV 30
 EP Material _____ EP Wage _____
 Unit price/piece

Safety & Environment

REACH Date	25.06.2025
REACH Info	Conformable
RoHS Info	Conformable

Origin & International Trade

Country of origin	DE
Customs tariff number	73269098