

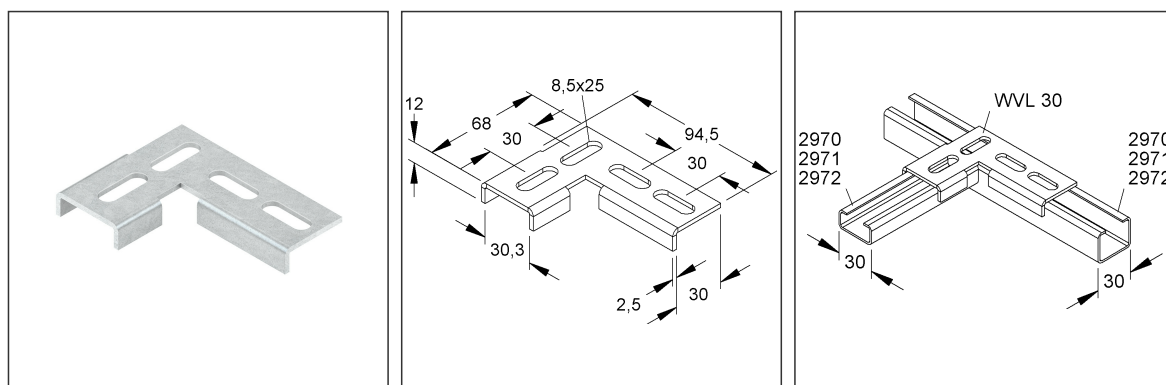
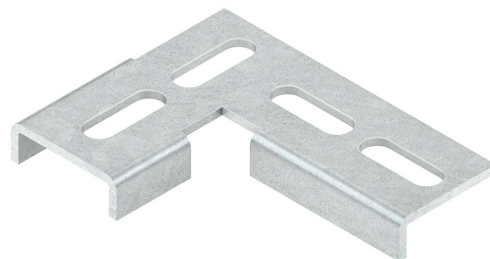
Angle Connector

left version

WVL 30

EAN Code: 4013339159000
 Smallest packaging unit: 100 pcs.

the photorealistic images are to be considered as reference images



Article Description

Angle connector, left version, steel, galvanised acc. to DIN EN ISO 19598, thick-film passivated

Weight

Weight per quantity unit	85 g / pcs.
Weight in kg per 100	8,47 kg / 100pcs.

Physical Article Dimensions

Height	12.00 mm
Width	68.00 mm
Depth/length	94.50 mm

Additional Price Information

Article group	N14
quantity unit	pcs.

Technical Datasheet

Niedax rails

WVL 30

the photorealistic images are to be considered as reference images

Packing Dimension

100 pieces = 1 carton		✓ VP1-smallest packaging unit (PU)	✓ VP1-preferred PU		
Lenght	350 mm	Width	180.00 mm	Height	110.00 mm
Gross weight	8,79 kg	Volume	0,007 m ³		
Min. quantity	100.00 pcs.	Max. Quantity	100.00 pcs.		
2800 pieces = 1					
Lenght	750 mm	Width	750 mm	Height	730 mm
Gross weight	277 kg	Volume	0,411 m ³		
Min. Quantity	2.800.00 pcs.	Max. Quantity	2.800.00 pcs.		

Tender Text

<p>Angle connector, left-hand version, for connecting horizontal C-profiles with a width of 30 mm that extend at right angles to the left. Please order screws and sliding nuts separately. Used for : C-profiles 2970, 2971 and 2972 Dimensions (approx.) Length L x width W : 94.5 x 68 mm Height H : 12 mm Material thickness t : 2.5 mm Fixing holes : 8.5 x 25 mm Centre distance : 30 mm Material : steel, electro galvanised according to DIN EN ISO 19598, thick-film passivated NIEDAX Model-No. : WVL 30 EP Material_____ EP Wage_____ Unit price/piece</p>

Safety & Environment

REACH Date	25.06.2025
REACH Info	Conformable
RoHS Info	Conformable

Origin & International Trade

Country of origin	DE
Customs tariff number	73269098