

Technical Datasheet

Wire Mesh Tray System



Wire Mesh Tray

U-shaped, spot-welded from steel wires, with welded connector

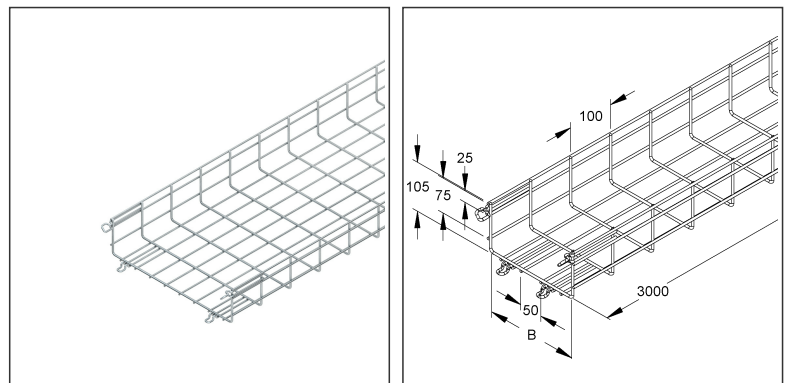
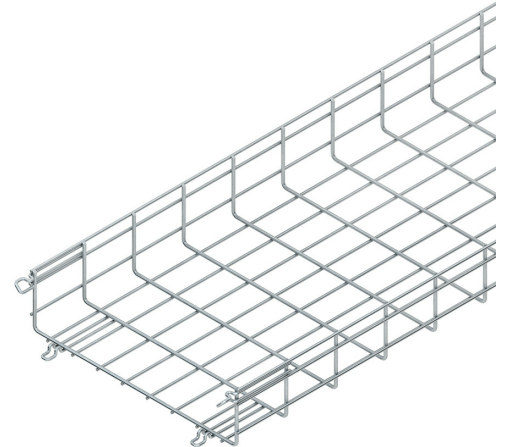
MTC 105.400 V NX CITO Line

EAN Code: 4013339711390

Smallest packaging unit: 3 m

quantity unit: m M

the photorealistic images are to be considered as reference images



Article Description

Wire mesh tray, U-shaped, w. welded connector, 105x400x3000 mm, CITO, steel, electro galvanised according DIN EN ISO 2081, blue passivated

Additional Price Information

Article group	N13
quantity unit	m

Weight

Weight per quantity unit	3,260 kg / m
Weight in kg per 100	326 kg / 100m

Technical Datasheet

Wire Mesh Tray System

MTC 105.400 V NXCITOLine

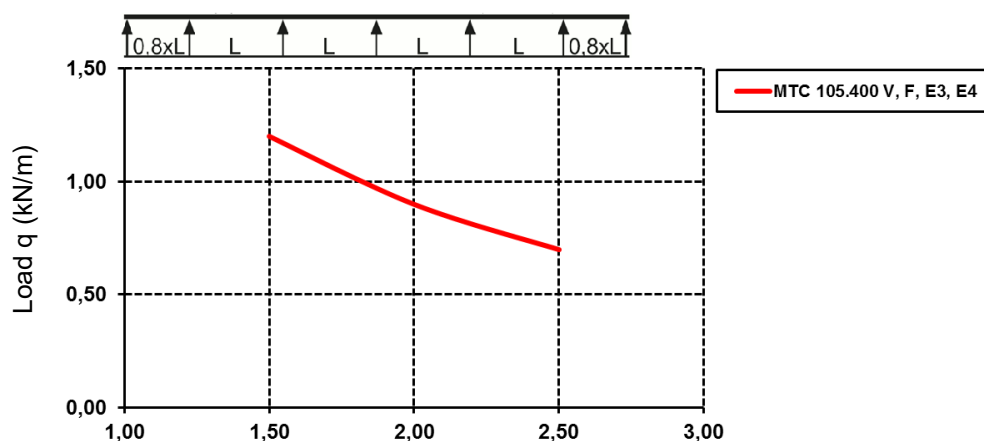
the photorealistic images are to be considered as reference images

Physical Article Dimensions

Height	110.52 mm
Width	421 mm
Depth/length	3033 mm

Load Specifications

Load diagram: q = evenly distributed cable load (tested acc. to DIN EN IEC 61537)



Fixing distance (m)

The load details shown in the diagram are independent of the position of the connectors.

Packing Dimension

3 meters = 1 piece		✓ VP1-smallest packaging unit (PU)			
Lenght	3033 mm	Width	422 mm	Height	111.00 mm
Gross weight	9,78 kg	Volume	0,141 m ³		
Min. quantity	3.00 m	Max. Quantity	3.00 m		

6 meters = 1 bundle					
Lenght	3033 mm	Width	427 mm	Height	116.00 mm
Gross weight	20 kg	Volume	0,149 m ³		
Min. Quantity	6.00 m	Max. Quantity	6.00 m		

96 meters = 1 rack					
Lenght	3033 mm	Width	1162 mm	Height	1120 mm
Gross weight	411 kg	Volume	3,947 m ³		
Min. Quantity	96.00 m	Max. Quantity	96.00 m		

Tender Text

Wire mesh tray according to DIN EN 61537, U-shaped, made of steel wires, spot-welded, for quick fixing with welded splice plates in the sides and bottom. VDE certified!

Dimensions (approx. dimensions)

Nominal dimension Height H (inside) x width W (inside) : 105 x 400 mm

Technical Datasheet

Wire Mesh Tray System

MTC 105.400 V **NXCITO**Line

the photorealistic images are to be considered as reference images

Tender Text

Longitudinal wire Ø : 4.82 mm
 Bottom longitudinal wire spacing : 50 mm
 Transverse wire Ø : 5.82 mm
 Transverse wire spacing : 100 mm
 Delivery length L : 3000 mm
 Usable cross-section : 40008 mm²
 Material : Steel, galvanised according to DIN EN ISO 2081, blue passivated
 NIEDAX Model No. : MTC 105.400 V
 EP Material _____ EP Wage _____
 Unit price/metre

Safety & Environment

REACH Date	25.06.2025
REACH Info	Conformable
RoHS Info	Conformable

Origin & International Trade

Country of origin	CH
Customs tariff number	73089098

Related items

Cover

Model No.	Description
GRDHL 30 S	Cover retaining lug for cover wire mesh tray, steel, pre-galvanised according to DIN EN 10346
GTD 400 S	Cover for wire mesh tray, 400x3000 mm, steel, mill gal., acc. DIN EN 10346
MTCC 400/7.5° S	Cover for MTC wire mesh tray, 415,7x3000 mm, 7,5° tilt angle, steel, pre-galvanised according to DIN EN 10346

Barrier strip

Model No.	Description
GRTB 6 S	Barrier strip fastening clamp, steel, pre-galvanised according to DIN EN 10346
GRVC 14	Barrier strip fastening clamp, steel, pre-galvanised according to DIN EN 10346, incl. accessories
RW 110	Barrier strip, 98x3000 mm, t=0,9 mm, steel, pre-galvanised according to DIN EN 10346, incl. accessories
RW 85	Barrier strip, 80x3000 mm, t=0,9 mm, steel, pre-galvanised according to DIN EN 10346, incl. accessories