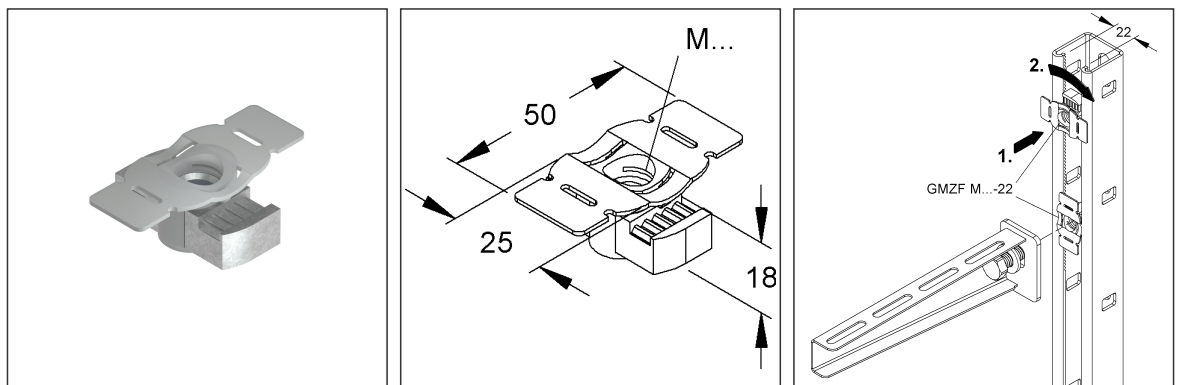
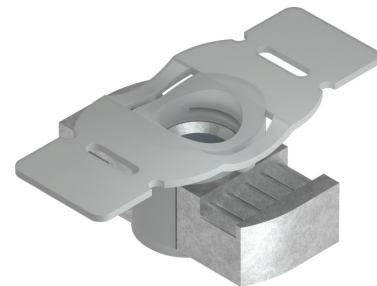


**Sliding Nut with Fixing Aid**

**GMZF M10-22 E5**

EAN Code: 4013339066421  
 Smallest packaging unit: 100 pcs.

the photorealistic images are to be considered as reference images



**Article Description**

Sliding nut with fixing aid, thread M10, for slot width 22 mm, stainless steel, material code: 1.4571

**Additional Price Information**

Article group	N09
quantity unit	pcs.

**Weight**

Weight per quantity unit	35 g / pcs.
Weight in kg per 100	3,45 kg / 100pcs.

**Physical Article Dimensions**

Height	18.00 mm
Width	34.00 mm
Depth/length	50.00 mm

# Technical Datasheet

## Screws and nuts

### GMZF M10-22 E5

the photorealistic images are to be considered as reference images

#### Packing Dimension

<b>100 pieces = 1 carton</b>		✓ VP1-smallest packaging unit ( PU)	✓ VP1-preferred PU		
Lenght	180.00 mm	Width	135.00 mm	Height	84.00 mm
Gross weight	3,45 kg	Volume	0,002 m <sup>3</sup>		
Min. quantity	100.00 pcs.	Max. Quantity	100.00 pcs.		

#### Tender Text

Sliding nut with fixing aid, for C-profiles, for precise fixing without slipping, especially in vertical applications, the sliding nut is screwed into the profile by 90° by means of the fixing aid and can be positioned variably by pressing it on, can be used at any point in the profile.

Used for: C-profiles in E3/E5 2996Z with 22 mm slot width

Dimensions (approx. dimensions)

Length L X width W : 50 mm x 25 mm

Total height H : 18 mm

Thread : M 10

Strength class : material No. 1.4571, AISI 316Ti

Sliding nut material : stainless steel, material No. 1.4571, AISI 316Ti

Fixing aid material : grey polyamide (PA), halogen-free

NIEDAX Model No. : GMZF M10-22 E5

EP Material\_\_\_\_\_ EP Wage\_\_\_\_\_

Unit price/piece

#### Safety & Environment

REACH Date	25.06.2025
REACH Info	Conformable
RoHS Info	Conformable

#### Origin & International Trade

Country of origin	CN
Customs tariff number	73181900