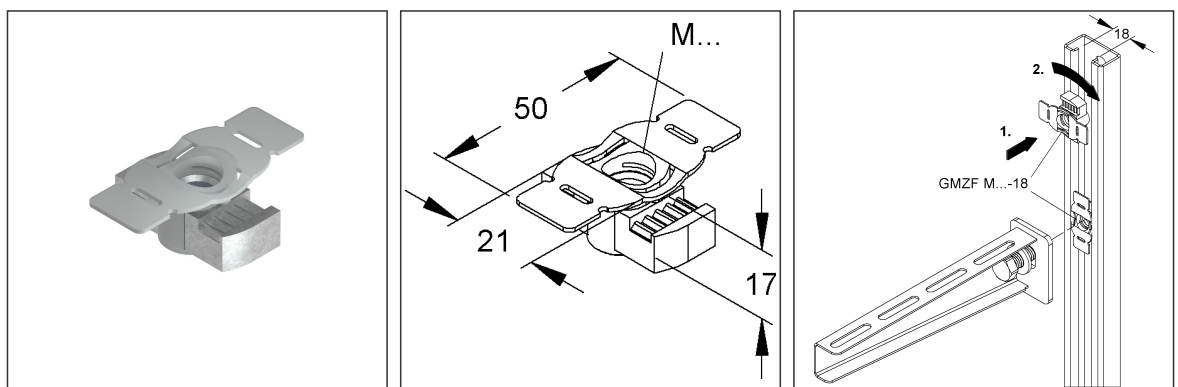
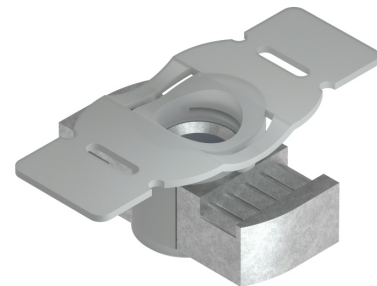


**Sliding Nut with Fixing Aid**

**GMZF M8-18 F**

EAN Code: 4013339055654  
Smallest packaging unit: 100 pcs.

the photorealistic images are to be considered as reference images



**Article Description**

Sliding nut with fixing aid, thread M8, for slot width 18 mm, steel, hot dip galvanised DIN EN ISO 10684

**Additional Price Information**

Article group	N09
quantity unit	pcs.

**Weight**

Weight per quantity unit	36 g / pcs.
Weight in kg per 100	3,52 kg / 100pcs.

**Physical Article Dimensions**

Height	17.00 mm
Width	34.00 mm
Depth/length	50.00 mm

# Technical Datasheet

## Screws and nuts

### GMZF M8-18 F

the photorealistic images are to be considered as reference images

#### Packing Dimension

<b>100 pieces = 1 carton</b>		✓ VP1-smallest packaging unit ( PU)	✓ VP1-preferred PU		
Lenght	180.00 mm	Width	135.00 mm	Height	84.00 mm
Gross weight	3,52 kg	Volume	0,002 m <sup>3</sup>		
Min. quantity	100.00 pcs.	Max. Quantity	100.00 pcs.		

#### Tender Text

Sliding nut with fastening aid, for C-profiles, for precise fastening without slipping, especially in vertical applications, the sliding nut is turned 90° into the profile by means of the fastening aid and can be positioned variably by pressing it on, can be used at any point in the profile.  
Used for : C-profiles 2985, 2986, 2988 and 2990 with 18 mm slot width  
Dimensions (approx. dimensions)  
Length L x width W : 50 x 21 mm  
Total height H : 17 mm  
Thread : M 8  
Strength class : 8  
Material sliding nut : steel, hot-dip galvanised acc. to DIN EN ISO 10684  
Material fastening aid : grey polyamide (PA), halogen-free  
NIEDAX Model no. : GMZF M8-18 F  
EP Material\_\_\_\_\_ EP Wage\_\_\_\_\_  
Unit price/piece

#### Safety & Environment

REACH Date	25.06.2025
REACH Info	Conformable
RoHS Info	Conformable

#### Origin & International Trade

Country of origin	CN
Customs tariff number	73181900