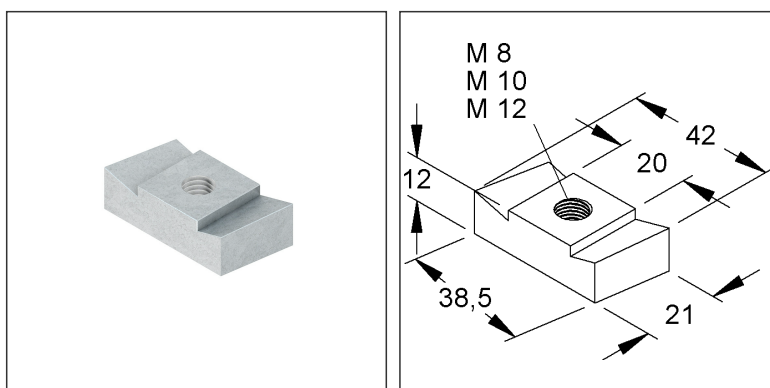


Sliding Nut

GM 5030 M10 F

EAN Code: 4013339967018
 Smallest packaging unit: 50 pcs.

the photorealistic images are to be considered as reference images



Article Description

Sliding nut, thread M10, for slot widths 22 mm, 26 mm, steel, hot dip galvanised DIN EN ISO 1461/10684

Additional Price Information

| | |
|---------------|------|
| Article group | N09 |
| quantity unit | pcs. |

Weight

| | |
|--------------------------|------------------|
| Weight per quantity unit | 67 g/ pcs. |
| Weight in kg per 100 | 6,67 kg/ 100pcs. |

Physical Article Dimensions

| | |
|--------------|----------|
| Height | 12.00 mm |
| Width | 21.00 mm |
| Depth/length | 42.00 mm |

Technical Datasheet

Screws and nuts

GM 5030 M10 F

the photorealistic images are to be considered as reference images

Packing Dimension

| | | | | | |
|-----------------------------|------------|-------------------------------------|----------------------|--------|----------|
| 50 pieces = 1 carton | | ✓ VP1-smallest packaging unit (PU) | ✓ VP1-preferred PU | | |
| Lenght | 180.00 mm | Width | 135.00 mm | Height | 84.00 mm |
| Gross weight | 3,33 kg | Volume | 0,002 m ³ | | |
| Min. quantity | 50.00 pcs. | Max. Quantity | 50.00 pcs. | | |

Tender Text

Sliding nut, without screw, for C-profiles with an inside width dimension of ≥ 43 mm, can be used at any point with fastening screw in the profile.

Used for :

C-profile 2987 with 26 mm slot width and

C-Profiles 2991, 2992, 2994 and 2995 with 22 mm slot width

Dimensions (approx. dimensions)

Length L x Width W : 42 x 21 mm

Height H : 12 mm

Thread : M 10

Strength class : 8

Material : steel, hot-dip galvanised acc. to DIN EN ISO 10684

NIEDAX Model No.: GM 5030 M10 F

EP Material_____ EP Wage_____

Unit price/piece

Safety & Environment

| | |
|------------|-------------|
| REACH Date | 25.06.2025 |
| REACH Info | Conformable |
| RoHS Info | Conformable |

Origin & International Trade

| | |
|-----------------------|----------|
| Country of origin | CN |
| Customs tariff number | 73181692 |