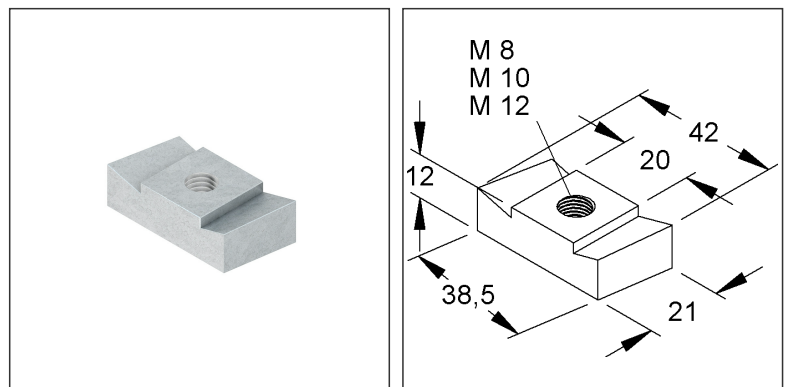


Sliding Nut

GM 5030 M8 F

EAN Code: 4013339967001
Smallest packaging unit: 50 pcs.

the photorealistic images are to be considered as reference images



Article Description

Sliding nut, thread M8, for slot widths 22 mm, 26 mm, steel, hot dip galvanised DIN EN ISO 1461/10684

Additional Price Information

Article group	N09
quantity unit	pcs.

Weight

Weight per quantity unit	69 g / pcs.
Weight in kg per 100	6,85 kg / 100pcs.

Physical Article Dimensions

Height	12.00 mm
Width	21.00 mm
Depth/length	42.00 mm

Technical Datasheet

Screws and nuts

GM 5030 M8 F

the photorealistic images are to be considered as reference images

Packing Dimension

50 pieces = 1 carton		✓ VP1-smallest packaging unit (PU)	✓ VP1-preferred PU		
Lenght	180.00 mm	Width	135.00 mm	Height	84.00 mm
Gross weight	3,43 kg	Volume	0,002 m ³		
Min. quantity	50.00 pcs.	Max. Quantity	50.00 pcs.		

Tender Text

Sliding nut, without screw, for C-profiles with an inside width dimension of ≥ 43 mm, can be used at any point with fastening screw in the profile.

Used for :

C-profile 2987 with 26 mm slot width and

C-Profiles 2991, 2992, 2994 and 2995 with 22 mm slot width

Dimensions (approx. dimensions)

Length L x Width W : 42 x 21 mm

Height H : 12 mm

Thread : M 8

Strength class : 8

Material : steel, hot-dip galvanised acc. to DIN EN ISO 10684

NIEDAX Model No.: GM 5030 M8 F

EP Material _____ EP Wage _____

Unit price/piece

Safety & Environment

REACH Date	25.06.2025
REACH Info	Conformable
RoHS Info	Conformable

Origin & International Trade

Country of origin	CN
Customs tariff number	73181692