

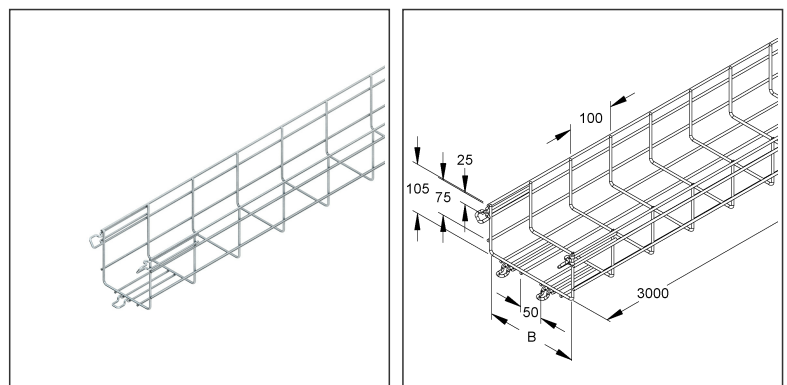
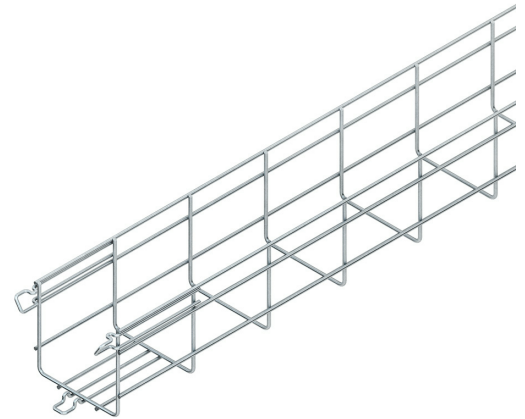
**Wire Mesh Tray**

U-shaped, spot-welded from steel wires, with welded connector

**MTC 105.100 V NX CITO**Line

EAN Code: 4013339711352  
 Smallest packaging unit:3 m  
 quantity unit:m M

the photorealistic images are to be considered as reference images



**Article Description**

Wire mesh tray, U-shaped, w. welded connector, 105x100x3000 mm, CITO, steel, electro galvanised according DIN EN ISO 2081, blue passivated

**Additional Price Information**

Article group	N13
quantity unit	m

**Weight**

Weight per quantity unit	1,044 kg/ m
Weight in kg per 100	104 kg/ 100m

# Technical Datasheet

## Wire Mesh Tray System

MTC 105.100 V NXCITOLine

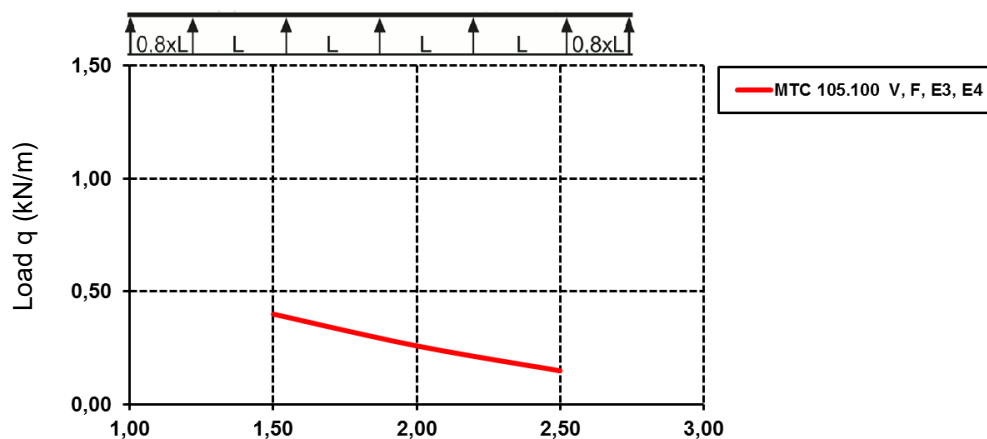
the photorealistic images are to be considered as reference images

### Physical Article Dimensions

Height	108.80 mm
Width	115.60 mm
Depth/length	3026 mm

### Load Specifications

Load diagram:  $q$  = evenly distributed cable load (tested acc. to DIN EN IEC 61537)



Fixing distance (m)

The load details shown in the diagram are independent of the position of the connectors.

### Packing Dimension

<b>3 meters = 1 piece</b>		✓ VP1-smallest packaging unit ( PU)			
Lenght	3027 mm	Width	116.00 mm	Height	109.00 mm
Gross weight	3,13 kg	Volume	0,038 m <sup>3</sup>		
Min. quantity	3.00 m	Max. Quantity	3.00 m		

<b>6 meters = 1 bundle</b>					
Lenght	3027 mm	Width	121.00 mm	Height	114.00 mm
Gross weight	6,26 kg	Volume	0,042 m <sup>3</sup>		
Min. Quantity	6.00 m	Max. Quantity	6.00 m		

<b>336 meters = 1 rack</b>					
Lenght	3027 mm	Width	1162 mm	Height	1120 mm
Gross weight	449 kg	Volume	3,939 m <sup>3</sup>		
Min. Quantity	336.00 m	Max. Quantity	336.00 m		

### Tender Text

Wire mesh tray according to DIN EN 61537, U-shaped, made of steel wires, spot-welded, for quick fixing with welded splice plates in the sides and bottom. VDE certified!

Dimensions (approx. dimensions)

Nominal dimension Height H (inside) x width W (inside) : 105 x 100 mm

# Technical Datasheet

## Wire Mesh Tray System

MTC 105.100 V **NXCITO**Line

the photorealistic images are to be considered as reference images

### Tender Text

Longitudinal wire Ø : 3.9 mm  
 Bottom longitudinal wire spacing : 50 mm  
 Transverse wire Ø : 3.9 mm  
 Transverse wire spacing : 100 mm  
 Delivery length L : 3000 mm  
 Usable cross-section : 10130 mm<sup>2</sup>  
 Material : Steel, galvanised according to DIN EN ISO 2081, blue passivated  
 NIEDAX Model No. : MTC 105.100 V  
 EP Material \_\_\_\_\_ EP Wage \_\_\_\_\_  
 Unit price/metre

### Safety & Environment

REACH Date	25.06.2025
REACH Info	Conformable
RoHS Info	Conformable

### Origin & International Trade

Country of origin	CH
Customs tariff number	73089098

### Related items

#### Cover

Model No.	Description
GRDHL 30 S	Cover retaining lug for cover wire mesh tray, steel, pre-galvanised according to DIN EN 10346
GTD 100 S	Cover for wire mesh tray, 100x3000 mm, steel, mill gal., acc. DIN EN 10346
MTCC 100/7.5° S	Cover for MTC wire mesh tray, 111,2x3000 mm, 7,5° tilt angle, steel, pre-galvanised according to DIN EN 10346

#### Barrier strip

Model No.	Description
GRTB 6 S	Barrier strip fastening clamp, steel, pre-galvanised according to DIN EN 10346
GRVC 14	Barrier strip fastening clamp, steel, pre-galvanised according to DIN EN 10346, incl. accessories
RW 110	Barrier strip, 98x3000 mm, t=0,9 mm, steel, pre-galvanised according to DIN EN 10346, incl. accessories
RW 85	Barrier strip, 80x3000 mm, t=0,9 mm, steel, pre-galvanised according to DIN EN 10346, incl. accessories