

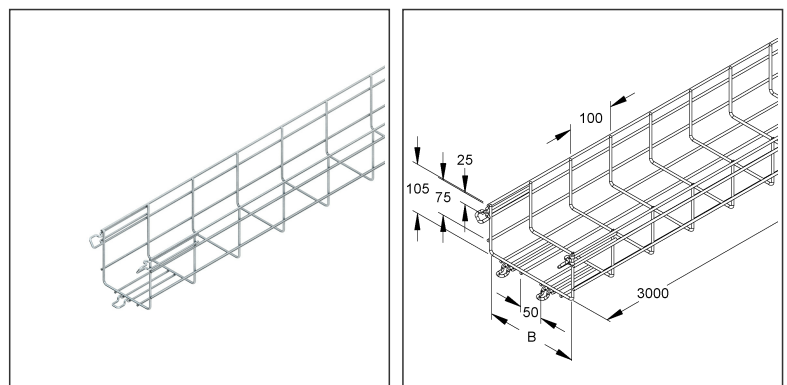
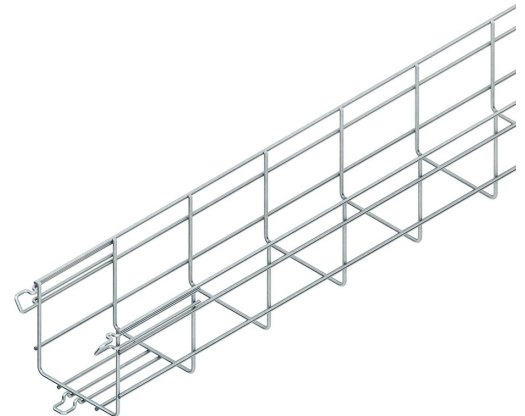
Wire Mesh Tray

U-shaped, spot-welded from steel wires, with welded connector

MTC 105.100 E3 NX **CITO**Line

EAN Code: 4013339713233
 Smallest packaging unit: 3 m
 quantity unit: m M

the photorealistic images are to be considered as reference images



Article Description

Wire mesh tray, U-shaped, w. welded connector, 105x100x3000 mm, CITO, stainless steel, material code: 1.4301, AISI 304, pickled

Additional Price Information

Article group	N13
quantity unit	m

Weight

Weight per quantity unit	1,051 kg / m
Weight in kg per 100	105 kg / 100m

Technical Datasheet

Wire Mesh Tray System

MTC 105.100 E3 NX CITO_{Line}

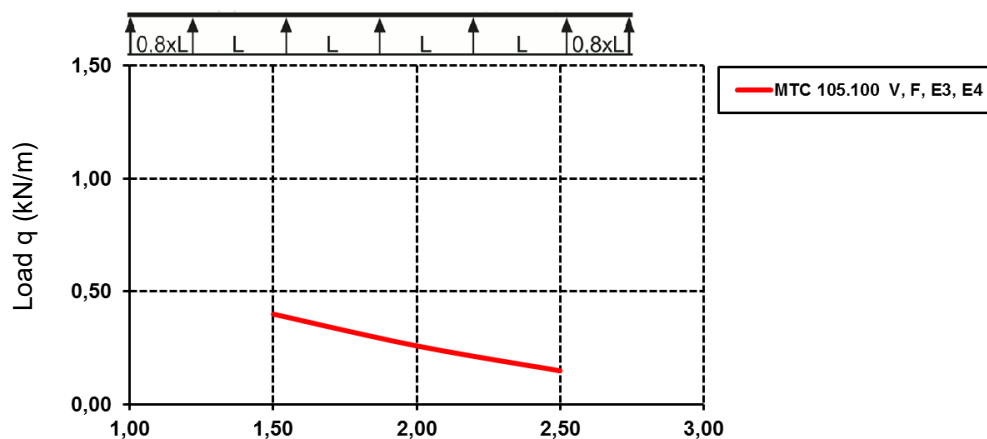
the photorealistic images are to be considered as reference images

Physical Article Dimensions

Height	108.80 mm
Width	115.60 mm
Depth/length	3026 mm

Load Specifications

Load diagram: q = evenly distributed cable load (tested acc. to DIN EN IEC 61537)



Fixing distance (m)

The load details shown in the diagram are independent of the position of the connectors.

Packing Dimension

3 meters = 1 piece		✓ VP1-smallest packaging unit (PU)			
Lenght	3027 mm	Width	116.00 mm	Height	109.00 mm
Gross weight	3,15 kg	Volume	0,038 m ³		
Min. quantity	3.00 m	Max. Quantity	3.00 m		

6 meters = 1 bundle					
Lenght	3027 mm	Width	121.00 mm	Height	114.00 mm
Gross weight	6,3 kg	Volume	0,042 m ³		
Min. Quantity	6.00 m	Max. Quantity	6.00 m		

336 meters = 1 rack					
Lenght	3027 mm	Width	1162 mm	Height	1120 mm
Gross weight	451 kg	Volume	3,939 m ³		
Min. Quantity	336.00 m	Max. Quantity	336.00 m		

Tender Text

Wire mesh tray according to DIN EN 61537, U-shaped, made of steel wires, spot-welded, for quick fixing with welded splice plates in the sides and bottom. VDE certified!

Dimensions (approx. dimensions)

Nominal dimension Height H (inside) x width W (inside) : 105 x 100 mm

Technical Datasheet

Wire Mesh Tray System

MTC 105.100 E3 NX CITO^{Line}

the photorealistic images are to be considered as reference images

Tender Text

Longitudinal wire Ø : 3.9 mm
 Bottom longitudinal wire spacing : 50 mm
 Cross wire Ø : 3.9 mm
 Cross wire spacing : 100 mm
 Delivery length L : 3000 mm
 Usable cross-section : 10130 mm²
 Material : Stainless steel, material no. 1.4301, AISI 304
 NIEDAX Model no. : MTC 105.100 E3
 EP Material _____ EP Wage _____
 Unit price/metre

Safety & Environment

REACH Date	25.06.2025
REACH Info	Conformable
RoHS Info	Conformable

Origin & International Trade

Country of origin	FR
Customs tariff number	73089098

Related items

Cover

Model No.	Description
GRDHL 30 E3	Cover retaining lug for cover wire mesh tray, stainless steel, material code: 1.4301, AISI 304
GTD 100 E3	Cover for wire mesh tray, 100x3000 mm, stainless steel 1.4301, 1.4303
MTCC 100/7.5° E3	Cover for MTC wire mesh tray, 111,2x3000 mm, 7,5° tilt angle, stainless steel, material code: 1.4301, AISI 304

Barrier strip

Model No.	Description
GRTB 6 E3	Barrier strip fastening clamp, stainless steel, material code: 1.4301, AISI 304
GRVC 14 E3	Barrier strip fastening clamp, stainless steel, material code: 1.4301, AISI 304, incl. accessories
RW 110 E3	Barrier strip, 98x3000 mm, t=0,9 mm, stainless steel, material code: 1.4301, AISI 304, incl. accessories
RW 85 E3	Barrier strip, 80x3000 mm, t=0,8 mm, stainless steel, material code: 1.4301, AISI 304, incl. accessories