

## Wire Mesh Tray

U-shaped, spot-welded from steel wires, with welded connector

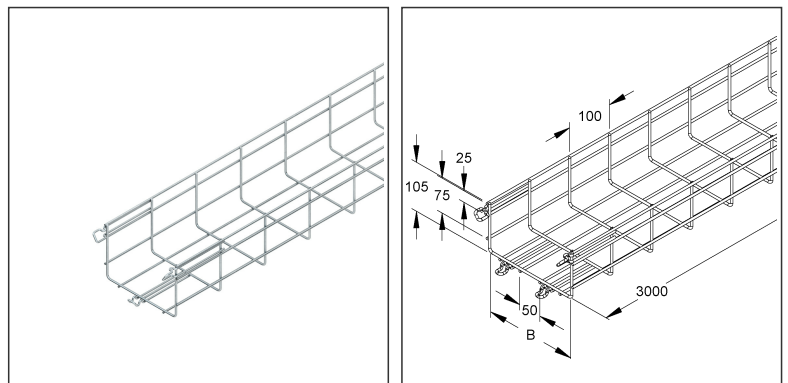
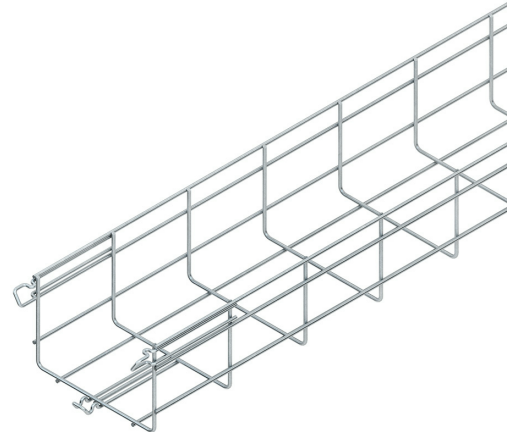
**MTC 105.150 V** NX**CITO**Line

EAN Code: 4013339711369

Smallest packaging unit:3 m

quantity unit:m M

the photorealistic images are to be considered as reference images



### Article Description

Wire mesh tray, U-shaped, w. welded connector, 105x150x3000 mm, CITO, steel, electro galvanised according DIN EN ISO 2081, blue passivated

### Additional Price Information

|               |     |
|---------------|-----|
| Article group | N13 |
| quantity unit | m   |

### Weight

|                          |              |
|--------------------------|--------------|
| Weight per quantity unit | 1,177 kg/ m  |
| Weight in kg per 100     | 118 kg/ 100m |

# Technical Datasheet

## Wire Mesh Tray System

MTC 105.150 V NXCITOLine

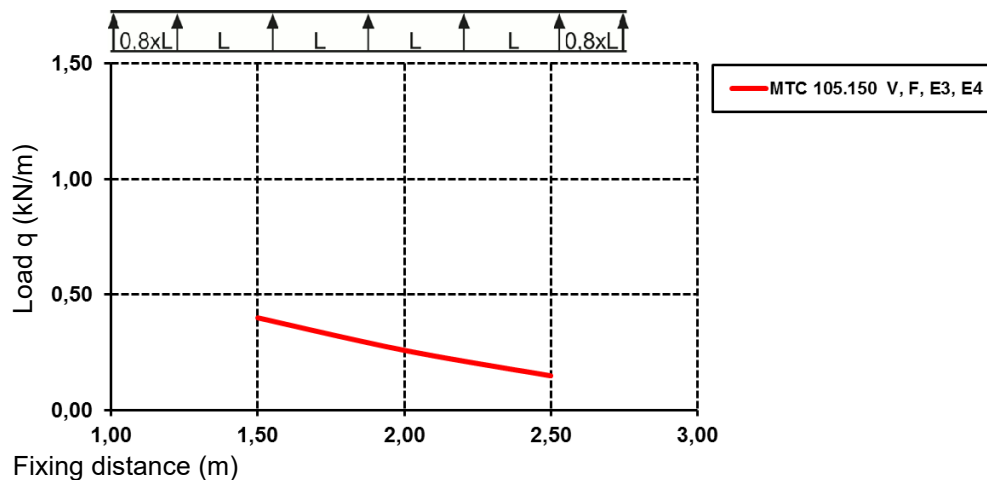
the photorealistic images are to be considered as reference images

### Physical Article Dimensions

|              |           |
|--------------|-----------|
| Height       | 108.80 mm |
| Width        | 165.60 mm |
| Depth/length | 3024 mm   |

### Load Specifications

Load diagram:  $q$  = evenly distributed cable load (tested acc. to DIN EN IEC 61537)



The load details shown in the diagram are independent of the position of the connectors.

### Packing Dimension

|                           |         |                                     |                      |        |           |
|---------------------------|---------|-------------------------------------|----------------------|--------|-----------|
| <b>3 meters = 1 piece</b> |         | ✓ VP1-smallest packaging unit ( PU) |                      |        |           |
| Lenght                    | 3024 mm | Width                               | 166.00 mm            | Height | 109.00 mm |
| Gross weight              | 3,53 kg | Volume                              | 0,054 m <sup>3</sup> |        |           |
| Min. quantity             | 3.00 m  | Max. Quantity                       | 3.00 m               |        |           |

|                            |         |               |                      |        |           |
|----------------------------|---------|---------------|----------------------|--------|-----------|
| <b>6 meters = 1 bundle</b> |         |               |                      |        |           |
| Lenght                     | 3024 mm | Width         | 171.00 mm            | Height | 114.00 mm |
| Gross weight               | 7,06 kg | Volume        | 0,059 m <sup>3</sup> |        |           |
| Min. Quantity              | 6.00 m  | Max. Quantity | 6.00 m               |        |           |

|                            |          |               |                      |        |         |
|----------------------------|----------|---------------|----------------------|--------|---------|
| <b>240 meters = 1 rack</b> |          |               |                      |        |         |
| Lenght                     | 3024 mm  | Width         | 1162 mm              | Height | 1120 mm |
| Gross weight               | 380 kg   | Volume        | 3,935 m <sup>3</sup> |        |         |
| Min. Quantity              | 240.00 m | Max. Quantity | 240.00 m             |        |         |

### Tender Text

Wire mesh tray according to DIN EN 61537, U-shaped, made of steel wires, spot-welded, for quick fixing with welded splice plates in the sides and bottom. VDE certified!  
 Dimensions (approx. dimensions)  
 Nominal dimension Height H (inside) x width W (inside) : 105 x 150 mm

# Technical Datasheet

## Wire Mesh Tray System

MTC 105.150 V **NXCITO**Line

the photorealistic images are to be considered as reference images

### Tender Text

Longitudinal wire Ø : 3.9 mm  
 Bottom longitudinal wire spacing : 50 mm  
 Transverse wire Ø : 3.9 mm  
 Transverse wire spacing : 100 mm  
 Delivery length L : 3000 mm  
 Usable cross-section : 15185 mm<sup>2</sup>  
 Material : steel, galvanised according to DIN EN ISO 19598, blue passivated  
 NIEDAX Model No. : MTC 105.150 V  
 EP Material \_\_\_\_\_ EP Wage \_\_\_\_\_  
 Unit price/metre

### Safety & Environment

|            |             |
|------------|-------------|
| REACH Date | 25.06.2025  |
| REACH Info | Conformable |
| RoHS Info  | Conformable |

### Origin & International Trade

|                       |          |
|-----------------------|----------|
| Country of origin     | FR       |
| Customs tariff number | 73089098 |

### Related items

#### Cover

| Model No.       | Description   |
|-----------------|---|
| GRDHL 30 S      | Cover retaining lug for cover wire mesh tray, steel, pre-galvanised according to DIN EN 10346               |
| GTD 150 S       | Cover for wire mesh tray, 150x3000 mm, steel, mill gal., acc. DIN EN 10346                                  |
| MTCC 150/7.5° S | Cover for MTC wire mesh tray, 161x3000 mm, 7,5° tilt angle, steel, pre-galvanised according to DIN EN 10346 |

#### Barrier strip

| Model No. | Description   |
|-----------|---|
| GRTB 6 S  | Barrier strip fastening clamp, steel, pre-galvanised according to DIN EN 10346                          |
| GRVC 14   | Barrier strip fastening clamp, steel, pre-galvanised according to DIN EN 10346, incl. accessories       |
| RW 110    | Barrier strip, 98x3000 mm, t=0,9 mm, steel, pre-galvanised according to DIN EN 10346, incl. accessories |
| RW 85     | Barrier strip, 80x3000 mm, t=0,9 mm, steel, pre-galvanised according to DIN EN 10346, incl. accessories |