

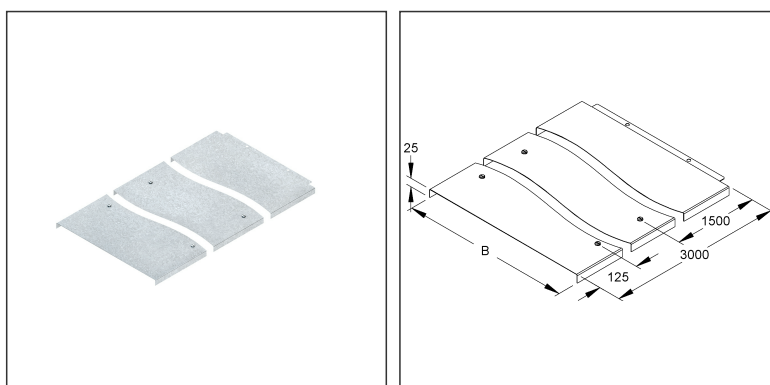
**Cover for Wide Span Cable Tray/-Ladder**

with bumper guard and pre-assembled twist-lock fasteners

**WDV 400 E3**

EAN Code: 4013339806546  
 Smallest packaging unit: 2 x 3 m  
 quantity unit: m M

the photorealistic images are to be considered as reference images



**Article Description**

Cover for WSL/WRL, w. joint strip, 404x3000 mm, with turning lock, stainless steel, material code: 1.4301, AISI 304

**Additional Price Information**

Article group	N13
quantity unit	m

**Weight**

Weight per quantity unit	3,613 kg / m
Weight in kg per 100	361 kg / 100m

# Technical Datasheet

## Long Span Cable Ladder

WDV 400 E3

the photorealistic images are to be considered as reference images

### Physical Article Dimensions

Height	28.50 mm
Width	406 mm
Depth/length	3020 mm

### Packing Dimension

<b>6 meters = 1 bundle</b>		✓ VP1-smallest packaging unit ( PU)	✓ VP1-preferred PU		
Lenght	3020 mm	Width	411 mm	Height	34.00 mm
Gross weight	22 kg	Volume	0,042 m <sup>3</sup>		
Min. quantity	6.00 m	Max. Quantity	6.00 m		

<b>240 meters = 1 rack</b>					
Lenght	3020 mm	Width	1162 mm	Height	1120 mm
Gross weight	965 kg	Volume	3,930 m <sup>3</sup>		
Min. Quantity	240.00 m	Max. Quantity	240.00 m		

### Tender Text

Cover for wide span cable tray/ladder, with joint bar to reduce deflection at the cover joint, protection against penetration of dirt as well as increase stability with the adjacent cover, with captive pre-mounted turning bolt fasteners, height-independent cover for wide span cable trays and ladders Due to external influences, such as wind loads, outdoor use is only possible with an additional safety device (self-tapping screws, steel band, etc.).

For additional requirements, turning bolts WDRS 20 E3 can be used.

Used for: wide span cable trays : WRL ...

WRLM ...

WRU ...

wide span cable ladder : WSL ...

WSLM ...

Dimensions (approx. dimension)

Width W (inside) : 404 mm

Delivery length L : 3000 mm

Material cover : stainless steel, material no. 1.4301, AISI 304

Material of turning bolt fasteners : stainless steel, material no. 1.4571, AISI 316Ti

NIEDAX Model No. : WDV 400 E3

EP Material \_\_\_\_\_ EP Wage \_\_\_\_\_

Unit price/meter

### Safety & Environment

REACH Date	25.06.2025
REACH Info	Conformable
RoHS Info	Conformable

# Technical Datasheet

## Long Span Cable Ladder

WDV 400 E3

the photorealistic images are to be considered as reference images

### Origin & International Trade

Country of origin	DE
Federal State of Origin	RP
Customs tariff number	73089059