

Technical Datasheet

Wire Mesh Tray System



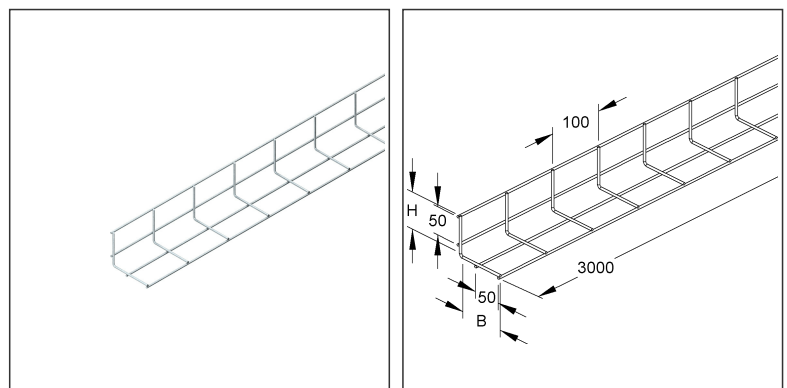
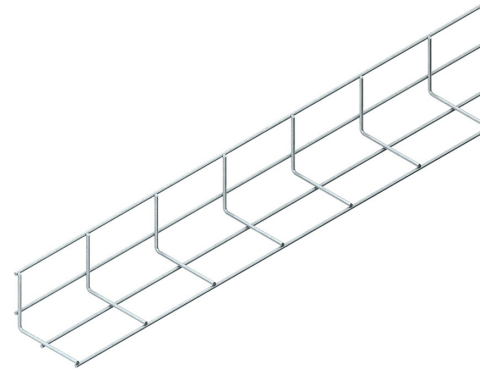
Angle Wire Mesh Tray

made of steel wires, spot welded

GRL 60.090

EAN Code: 4013339280803
 Smallest packaging unit: 2 x 3 m
 quantity unit: m M

the photorealistic images are to be considered as reference images



Article Description

Angle wire mesh tray, 73x96 mm, wire-Ø 4,0 mm, steel, galvanised acc. to DIN EN ISO 19598, blue passivated

Additional Price Information

Article group	N13
quantity unit	m

Weight

Weight per quantity unit	552 g / m
Weight in kg per 100	55 kg / 100m

Technical Datasheet

Wire Mesh Tray System

GRL 60.090

the photorealistic images are to be considered as reference images

Physical Article Dimensions

Height	77.00 mm
Width	92.00 mm
Depth/length	3004 mm

Packing Dimension

6 meters = 1 bundle		✓ VP1-smallest packaging unit (PU)		✓ VP1-preferred PU	
Lenght	3020 mm	Width	100.00 mm	Height	90.00 mm
Gross weight	3,31 kg	Volume	0,027 m ³		
Min. quantity	6.00 m	Max. Quantity	6.00 m		

1500 meters = 1 rack					
Lenght	3004 mm	Width	1162 mm	Height	1120 mm
Gross weight	925 kg	Volume	3,910 m ³		
Min. Quantity	1.500.00 m	Max. Quantity	1.500.00 m		

Tender Text

Angled wire mesh tray, made of steel wires, spot-welded, for mounting on support flanges.

Dimensions (approx. dimensions)

Height H (outside) x width W (outside) : 77 x 92 mm

Longitudinal wire Ø : 4 mm

Bottom longitudinal wire spacing : 50 mm

Longitudinal side wire spacing : 50 mm

Cross wire Ø : 4 mm

Cross wire spacing : 100 mm

Delivery length L : 3000 mm

Usable cross section : 5200 mm²

Suitable splice plates : 1 x GRVS 4 per delivery length

Material : steel, electro galvanised acc. to DIN EN ISO 19598, blue passivated

NIEDAX Model-No. : GRL 60.090

EP Material _____ EP Wage _____

Unit price/meter

Safety & Environment

REACH Date	25.06.2025
REACH Info	Conformable
RoHS Info	Conformable

Origin & International Trade

Country of origin	DE
Customs tariff number	73089059

Technical Datasheet

Wire Mesh Tray System

GRL 60.090

the photorealistic images are to be considered as reference images

Related items

Connector

Model No.	Description
GRVS 4	Splice plate, screwless, for wire-Ø 3,5-4,0 mm, steel, pre-galvanised according to DIN EN 10346