

### Angle Wire Mesh Tray

made of steel wires, spot welded

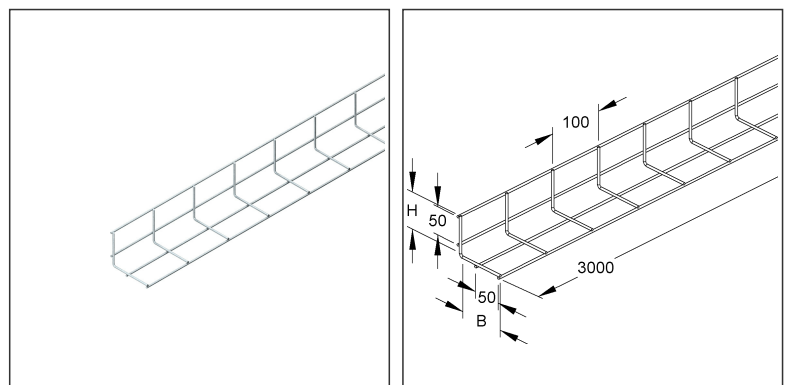
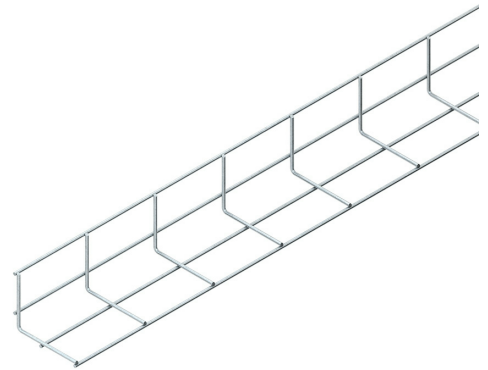
GRL 60.090 F

EAN Code: 4013339280858

Smallest packaging unit: 2 x 3 m

quantity unit: m M

the photorealistic images are to be considered as reference images



### Article Description

Angle wire mesh tray, 73x96 mm, wire-Ø 4,0 mm, steel, hot dip galvanised DIN EN ISO 1461

### Additional Price Information

Article group	N13
quantity unit	m

### Weight

Weight per quantity unit	607 g / m
Weight in kg per 100	61 kg / 100m

### Physical Article Dimensions

Height	77.00 mm
Width	92.00 mm
Depth/length	3004 mm

# Technical Datasheet

## Wire Mesh Tray System

GRL 60.090 F

the photorealistic images are to be considered as reference images

### Packing Dimension

<b>6 meters = 1 bundle</b>		✓ VP1-smallest packaging unit ( PU)		✓ VP1-preferred PU	
Lenght	3020 mm	Width	100.00 mm	Height	90.00 mm
Gross weight	3,64 kg	Volume	0,027 m <sup>3</sup>		
Min. quantity	6.00 m	Max. Quantity	6.00 m		
<b>2400 meters = 1 rack</b>					
Lenght	3004 mm	Width	1162 mm	Height	1120 mm
Gross weight	1554 kg	Volume	3,910 m <sup>3</sup>		
Min. Quantity	2.400.00 m	Max. Quantity	2.400.00 m		

### Tender Text

Angled wire mesh tray, made of steel wires, spot-welded, for mounting on support flanges.

Dimensions (approx. dimensions)

Height H (outside) x width W (outside) : 77 x 92 mm

Longitudinal wire Ø : 4 mm

Bottom longitudinal wire spacing : 50 mm

Longitudinal side wire spacing : 50 mm

Cross wire Ø : 4 mm

Cross wire spacing : 100 mm

Delivery length L : 3000 mm

Usable cross-section : 5200 mm<sup>2</sup>

Suitable splice plates : 1 x GRVS 4 E3 per delivery length

Material : steel, hot-dip galvanised acc. to DIN EN ISO 1461

NIEDAX Model-No. : GRL 60.090 F

EP Material \_\_\_\_\_ EP Wage \_\_\_\_\_

Unit price/meter

### Safety & Environment

REACH Date	25.06.2025
REACH Info	Conformable
RoHS Info	Conformable

### Origin & International Trade

Country of origin	DE
Customs tariff number	73089059

### Related items

#### Connector

Model No.	Description
GRVS 4 E3	Splice plate, screwless, for wire-Ø 3,5-4,0 mm, stainless steel, material code: 1.4301, AISI 304