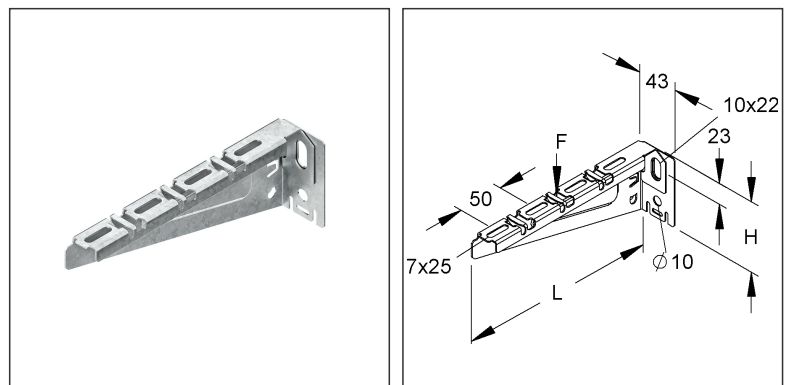
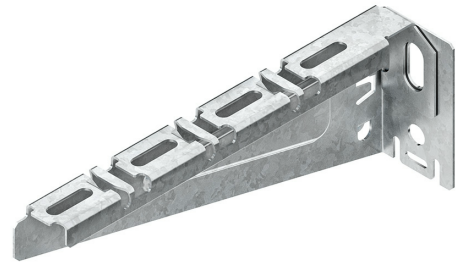


Overhead Hanger- and Wall Bracket

KTAC 150 S

EAN Code: 4013339192168
 Smallest packaging unit: 20 pcs.

the photorealistic images are to be considered as reference images



Article Description

Overhead hanger and wall bracket, 77x168 mm, 0.6 kN, steel, pre-galvanised acc. DIN EN 10346

Additional Price Information

Article group	N13
quantity unit	pcs.

Weight

Weight per quantity unit	160 g / pcs.
Weight in kg per 100	16 kg / 100pcs.

Physical Article Dimensions

Height	77.50 mm
Width	46.80 mm
Depth/length	168.00 mm

Technical Datasheet

Supporting structure

KTAC 150 S

the photorealistic images are to be considered as reference images

Packing Dimension

20 pieces = 1 carton		✓ VP1-smallest packaging unit (PU)		✓ VP1-preferred PU	
Lenght	260 mm	Width	170.00 mm	Height	100.00 mm
Gross weight	3,29 kg	Volume	0,004 m ³		
Min. quantity	20.00 pcs.	Max. Quantity	20.00 pcs.		
1680 pieces = 1 pallet					
Lenght	1200 mm	Width	800 mm	Height	620 mm
Gross weight	294 kg	Volume	0,595 m ³		
Min. Quantity	1.680.00 pcs.	Max. Quantity	1.680.00 pcs.		

Tender Text

<p>Overhead hanger and wall brackets, for wall and overhead mounting. The load-bearing capacity data only apply with sufficient anchoring to the load-bearing substrate or with correct installation on suspended supports.</p> <p>Can be used for : Wire mesh trays with a wire Ø 3.9 - 5 mm and a central longitudinal wire distance of 50 mm as well as for cable trays</p> <p>Dimensions (approx. dimensions) Support height H : 77 mm Support length L : 168 mm Load capacity F at L/2 : 0.6 kN tested in the system Material : steel, pre-galvanised acc. to DIN EN 10346 NIEDAX Model no. : KTAC 150 S EP Material _____ EP Wage _____ Unit price/piece</p>

Safety & Environment

REACH Date	25.06.2025
REACH Info	Conformable
RoHS Info	Conformable

Origin & International Trade

Country of origin	FR
Customs tariff number	73089059