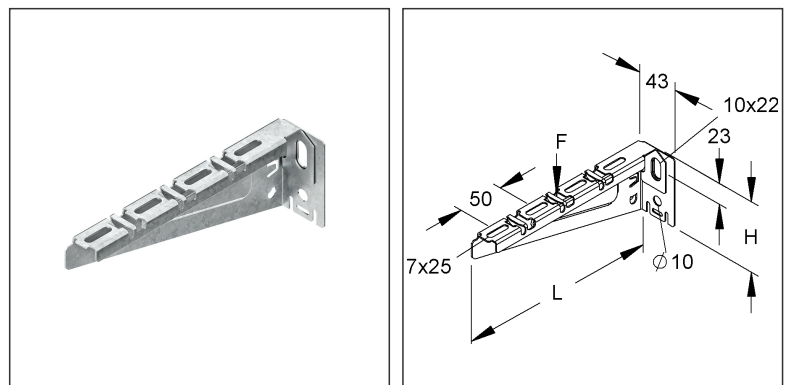
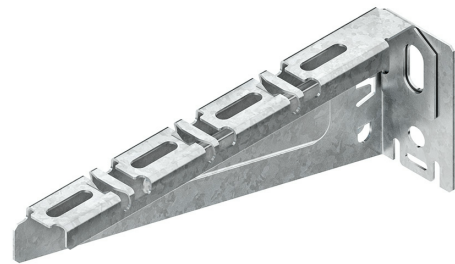


**Overhead Hanger- and Wall Bracket**

**KTAC 400 S**

EAN Code: 4013339192199  
 Smallest packaging unit: 20 pcs.

the photorealistic images are to be considered as reference images



**Article Description**

Overhead hanger and wall bracket, 107x418 mm, 1.1 kN, steel, pre-galvanised acc. DIN EN 10346

**Additional Price Information**

Article group	N13
quantity unit	pcs.

**Weight**

Weight per quantity unit	540 g / pcs.
Weight in kg per 100	54 kg / 100pcs.

**Physical Article Dimensions**

Height	107.00 mm
Width	47.10 mm
Depth/length	417.50 mm

# Technical Datasheet

## Supporting structure

KTAC 400 S

the photorealistic images are to be considered as reference images

### Packing Dimension

<b>20 pieces = 1 carton</b>		✓ VP1-smallest packaging unit ( PU)		✓ VP1-preferred PU	
Lenght	500 mm	Width	310 mm	Height	140.00 mm
Gross weight	11 kg	Volume	0,022 m <sup>3</sup>		
Min. quantity	20.00 pcs.	Max. Quantity	20.00 pcs.		
<b>320 pieces = 1 pallet</b>					
Lenght	1200 mm	Width	800 mm	Height	700 mm
Gross weight	194 kg	Volume	0,672 m <sup>3</sup>		
Min. Quantity	320.00 pcs.	Max. Quantity	320.00 pcs.		

### Tender Text

<p>Overhead hanger and wall brackets, for wall and overhead mounting. The load-bearing capacity data only apply with sufficient anchoring to the load-bearing substrate or with correct installation on suspended supports.</p> <p>Can be used for : Wire mesh trays with a wire Ø 3.9 - 5 mm and a central longitudinal wire spacing of 50 mm as well as for cable trays</p> <p>Dimensions (approx. dimensions) Support  height H : 107 mm  Support length L : 418 mm  Load capacity F at L/2 : 1.1 kN tested in the system  Material : steel, pre-galvanised acc. to DIN EN 10346  NIEDAX Model no. : KTAC 400 S  EP Material _____ EP Wage _____  Unit price/piece</p>
---

### Safety & Environment

REACH Date	25.06.2025
REACH Info	Conformable
RoHS Info	Conformable

### Origin & International Trade

Country of origin	FR
Customs tariff number	73089059