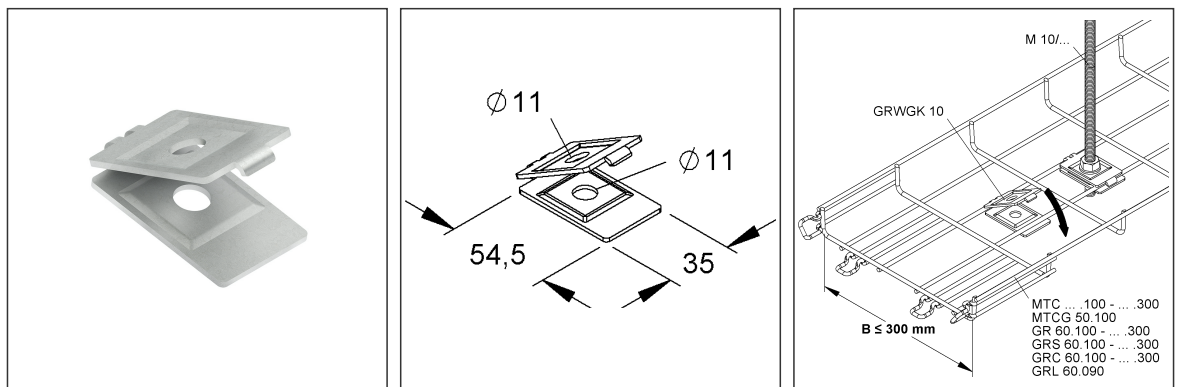
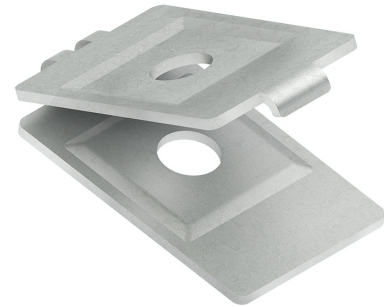


**Wire Mesh Tray Fastening Clamp, single**

**GRWGK 10 E3**

EAN Code: 4013339931057  
 Smallest packaging unit: 25 pcs.

the photorealistic images are to be considered as reference images



**Article Description**

Wire mesh tray fastening clamp, single, stainless steel, material code: 1.4301, AISI 304

**Additional Price Information**

Article group	N13
quantity unit	pcs.

**Weight**

Weight per quantity unit	58 g / pcs.
Weight in kg per 100	5,8 kg / 100pcs.

**Physical Article Dimensions**

Height	60.30 mm
Width	34.00 mm
Depth/length	35.00 mm

# Technical Datasheet

## Wire Mesh Tray System

GRWGK 10 E3

the photorealistic images are to be considered as reference images

### Packing Dimension

<b>25 pieces = 1 carton</b>		✓ VP1-smallest packaging unit ( PU)	✓ VP1-preferred PU
Lenght	205 mm	Width	120.00 mm
		Height	80.00 mm
Gross weight	1,59 kg	Volume	0,002 m <sup>3</sup>
Min. quantity	25.00 pcs.	Max. Quantity	25.00 pcs.

<b>2550 pieces = 1</b>			
Lenght	750 mm	Width	750 mm
		Height	730 mm
Gross weight	202 kg	Volume	0,411 m <sup>3</sup>
Min. Quantity	2.550.00 pcs.	Max. Quantity	2.550.00 pcs.

### Tender Text

Wire mesh cable fastening bracket, one-piece, for variable side fastening (wire mesh tray width  $\leq$  100 mm and lateral longitudinal wire distance of 25 or 50 mm) and floor fastening of wire mesh trays, an additional central perforation also enables suspension by means of a threaded rod M 10 (wire mesh tray width  $\leq$  300 mm), wire mesh trays of sizes GR 40.040, GRS 60.060, GRCI 50.050 and MTCG 50.100 are given a variable fastening option.

Fastening accessories must be ordered separately depending on the application. Used for : wire mesh trays with wire  $\varnothing$  3 mm - 5 mm and a central longitudinal wire distance of  $\leq$  50 mm

Dimensions (approx. dimensions)

Width W x length L : 54.5 x 35 mm

Centre hole :  $\varnothing$  11 mm

Material : Stainless steel, Material No. 1.4301, 1.4303

NIEDAX Model No. : GRWGK 10 E3

EP Material \_\_\_\_\_ EP Wage \_\_\_\_\_

Unit price/piece

### Safety & Environment

REACH Date	25.06.2025
REACH Info	Conformable
RoHS Info	Conformable

### Origin & International Trade

Country of origin	DE
Customs tariff number	73089059