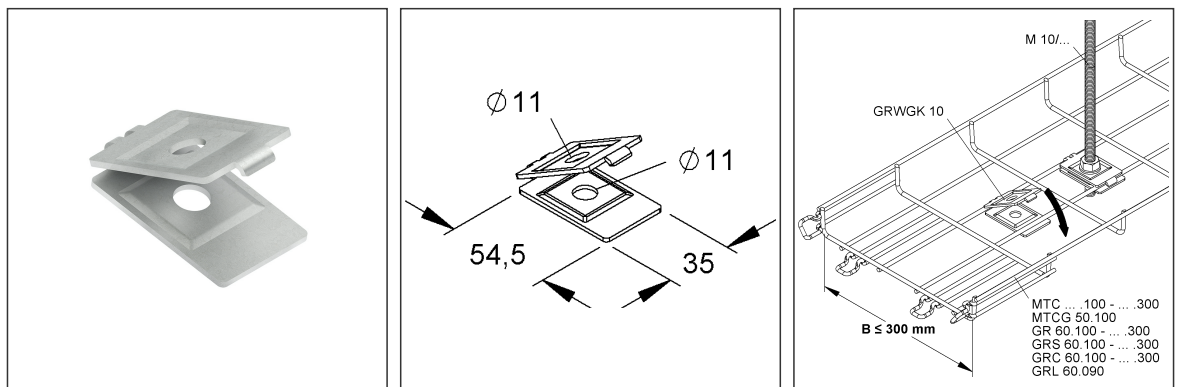
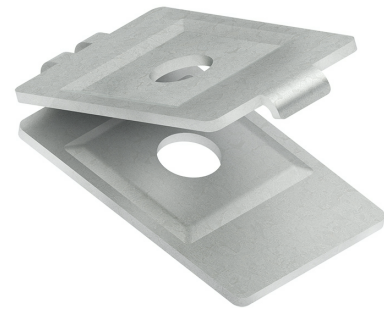
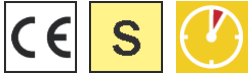


**Wire Mesh Tray Fastening Clamp, single**

**GRWGK 10 S**

EAN Code: 4013339280797  
 Smallest packaging unit: 25 pcs.

the photorealistic images are to be considered as reference images



**Article Description**

Wire mesh tray fastening clamp, single, steel, pre-galvanised according to DIN EN 10346

**Additional Price Information**

Article group	N13
quantity unit	pcs.

**Weight**

Weight per quantity unit	58 g/ pcs.
Weight in kg per 100	5,76 kg/ 100pcs.

**Physical Article Dimensions**

Height	60.30 mm
Width	34.00 mm
Depth/length	35.00 mm

# Technical Datasheet

## Wire Mesh Tray System

GRWGK 10 S

the photorealistic images are to be considered as reference images

### Packing Dimension

<b>25 pieces = 1 carton</b>		✓ VP1-smallest packaging unit ( PU)		✓ VP1-preferred PU	
Lenght	205 mm	Width	120.00 mm	Height	80.00 mm
Gross weight	1,58 kg	Volume	0,002 m <sup>3</sup>		
Min. quantity	25.00 pcs.	Max. Quantity	25.00 pcs.		
<b>2550 pieces = 1</b>					
Lenght	750 mm	Width	750 mm	Height	730 mm
Gross weight	201 kg	Volume	0,411 m <sup>3</sup>		
Min. Quantity	2.550.00 pcs.	Max. Quantity	2.550.00 pcs.		

### Tender Text

Wire mesh tray fastening bracket, one-piece, for variable side fastening (wire mesh tray width ≤ 100 mm and lateral longitudinal wire distance of 25 or 50 mm) and floor fastening of wire mesh trays, an additional central perforation also enables suspension by means of a threaded rod M 10 (wire mesh tray width ≤ 300 mm), wire mesh trays of sizes GR 40.040, GRS 60.060, GRCI 50.050 and MTCG 50.100 are given a variable fastening option.

Fastening accessories must be ordered separately depending on the application.  
Used for : Wire mesh trays with wire Ø 3 mm - 5 mm and a central longitudinal wire distance of ≤ 50 mm

Dimensions (approx. dimensions)

Width W x length L : 54.5 x 35 mm

Centre hole : Ø 11 mm

Material : Steel, pre-galvanised acc. to DIN EN 10346

NIEDAX Model No. : GRWGK 10 S

EP Material \_\_\_\_\_ EP Wage \_\_\_\_\_

Unit price/piece

### Safety & Environment

REACH Date	25.06.2025
REACH Info	Conformable
RoHS Info	Conformable

### Origin & International Trade

Country of origin	DE
Customs tariff number	73089059