

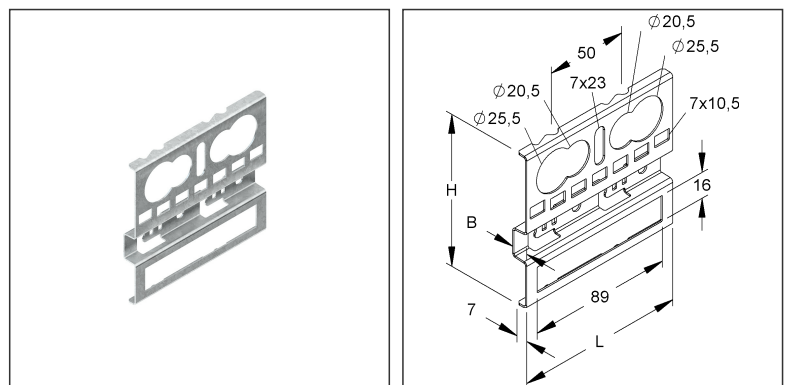
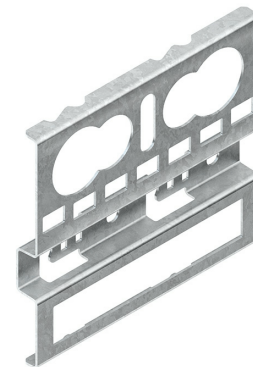
**Universal Fastening Plate for Wire Mesh Trays**

screwless

**MTCUP 100 S**

EAN Code: 4013339191826  
 Smallest packaging unit: 25 pcs.

the photorealistic images are to be considered as reference images



**Article Description**

Universal fastening plate for MTC, screwless fastening, steel, pre-galvanised acc. DIN EN 10346

**Additional Price Information**

Article group	N13
quantity unit	pcs.

**Weight**

Weight per quantity unit	62 g / pcs.
Weight in kg per 100	6,13 kg / 100pcs.

**Physical Article Dimensions**

Height	94.00 mm
Width	11.00 mm
Depth/length	104.00 mm

# Technical Datasheet

## Wire Mesh Tray System

MTCUP 100 S

the photorealistic images are to be considered as reference images

### Packing Dimension

<b>25 pieces = 1 carton</b>		✓ VP1-smallest packaging unit ( PU)	✓ VP1-preferred PU		
Lenght	260 mm	Width	185.00 mm	Height	120.00 mm
Gross weight	1,82 kg	Volume	0,006 m³		
Min. quantity	25.00 pcs.	Max. Quantity	25.00 pcs.		
<b>2250 pieces = 1 pallet</b>					
Lenght	1200 mm	Width	800 mm	Height	1000 mm
Gross weight	179 kg	Volume	0,960 m³		
Min. Quantity	2.250.00 pcs.	Max. Quantity	2.250.00 pcs.		

### Tender Text

Universal fastening plate for Wire mesh trays, screwless, for floor mounting in Wire mesh trays with at least two longitudinal wires with a central spacing of 50 mm for bracket clamp installations B(K)..., separating bar and cable tie fastenings, for side mounting on Wire mesh trays with at least two lateral longitudinal wires with a central spacing of  $\geq 25$  mm for mounting junction and branch boxes as well as cable glands. To secure against levering out, the lug can be folded down using a screwdriver.

Use for : Floor mounting Wire mesh trays MTC..., MTS..., GR..., GRS... and GRC... from width 100 mm

Side-mounted Wire mesh trays MTC 54..., MTC 105..., MTS..., MTCG 50.100, GR 60..., GRS 60... and GRC 60...

Dimensions (approx. Dimensions) H x W x L : 94 x 10 x 104 mm  
for wire  $\varnothing$  : 3.9 - 6 mm

Floor mounting central longitudinal wire spacing : 50 mm

Side mounting central longitudinal wire spacing :  $\geq 25$  mm

central vertical slotted hole : 7 x 23 mm

Cable gland holes :  $\varnothing$  20.5 mm and  $\varnothing$  25.5 mm

Cable tie/distributor and junction box holes : 7 x 10.5 mm

Bracket outlet : 16 x 89 mm

Material : Steel, pre-galvanised according to DIN EN 10346

NIEDAX model no.: MTCUP 100 S

EP Material \_\_\_\_\_ EP Wage \_\_\_\_\_

Unit price/piece

### Safety & Environment

REACH Date	25.06.2025
REACH Info	Conformable
RoHS Info	Conformable

### Origin & International Trade

Country of origin	DE
Customs tariff number	73089059