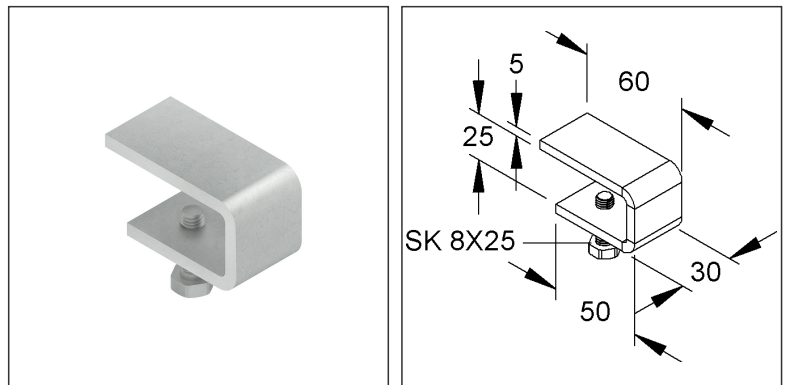
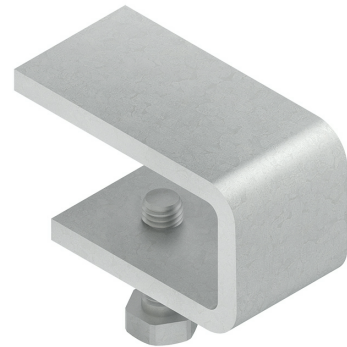


Clamping Piece

GRK 25

EAN Code: 4013339280902
 Smallest packaging unit: 50 pcs.

the photorealistic images are to be considered as reference images



Article Description

Clamping piece, steel, hot dip galvanised DIN EN ISO 1461

Incl. accessories

1 SK 8X25 F

Additional Price Information

Article group	N13
quantity unit	pcs.

Weight

Weight per quantity unit	183 g / pcs.
Weight in kg per 100	18 kg / 100pcs.

Technical Datasheet

Wire Mesh Tray System

GRK 25

the photorealistic images are to be considered as reference images

Physical Article Dimensions

Height	45.30 mm
Width	30.00 mm
Depth/length	60.00 mm

Packing Dimension

50 pieces = 1 carton		✓ VP1-smallest packaging unit (PU)	✓ VP1-preferred PU
Lenght	250 mm	Width	250 mm
		Height	100.00 mm
Gross weight	9,51 kg	Volume	0,006 m ³
Min. quantity	50.00 pcs.	Max. Quantity	50.00 pcs.

3600 pieces = 1 pallet			
Lenght	1200 mm	Width	800 mm
		Height	1000 mm
Gross weight	699 kg	Volume	0,960 m ³
Min. Quantity	3.600.00 pcs.	Max. Quantity	3.600.00 pcs.

Tender Text

Clamping piece, for horizontal clamp fastening of wire mesh trays with at least two longitudinal bottom wires to support flanges, including proportional fastening accessories.

Used for : Wire mesh trays with a central longitudinal wire distance of ≤ 50 mm

MTC... .100 - ...

MTS... .100 - ...

MTCG 50.100

GR...

GRS...

GRC...

GRCI 50.050

GRL 60.090

Dimensions (approx. dimensions)

Clamping leg outside : 60 mm

Width W : 30 mm

Material thickness t : 5 mm

Steel support flange thickness : ≤ 20 mm

Screw tightening torque : 15 Nm

Material : steel, hot-dip galvanised acc. to DIN EN ISO 1461

NIEDAX model no. : GRK 25

EP material _____ EP wage _____

Unit price/piece

Safety & Environment

REACH Date	25.06.2025
REACH Info	Conformable
RoHS Info	Conformable

Technical Datasheet

Wire Mesh Tray System

GRK 25

the photorealistic images are to be considered as reference images

Origin & International Trade

Country of origin	DE
Customs tariff number	73089059