

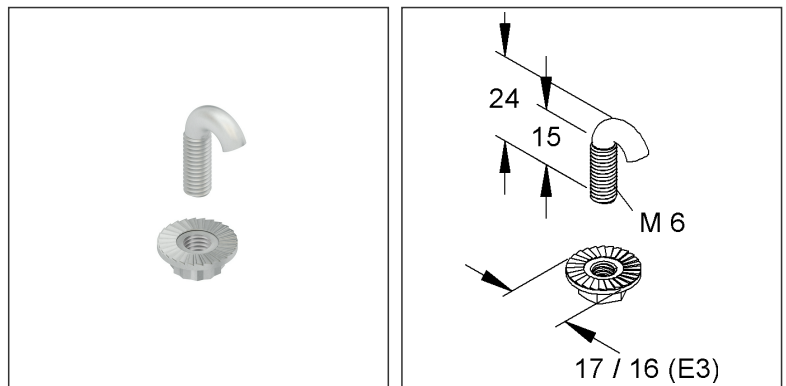
Hook Bolt

incl. toothed flange nut similar to DIN EN 1661

GRSM 6 E3

EAN Code: 4013339343799
 Smallest packaging unit: 50 pcs.

the photorealistic images are to be considered as reference images



Article Description

Hook bolt, thread M6, with toothed flange nut, Ø 16 mm, stainless steel, material code: 1.4301, AISI 304

Additional Price Information

Article group	N13
quantity unit	pcs.

Weight

Weight per quantity unit	11 g / pcs.
Weight in kg per 100	1,08 kg / 100pcs.

Physical Article Dimensions

Height	23.55 mm
Width	16.30 mm
Depth/length	16.30 mm

Technical Datasheet

Wire Mesh Tray System

GRSM 6 E3

the photorealistic images are to be considered as reference images

Packing Dimension

50 pieces = 1 carton		✓ VP1-smallest packaging unit (PU)		✓ VP1-preferred PU	
Lenght	100.00 mm	Width	83.00 mm	Height	59.00 mm
Gross weight	0,57 kg	Volume	0,000 m ³		
Min. quantity	50.00 pcs.	Max. Quantity	50.00 pcs.		
18800 pieces = 1					
Lenght	750 mm	Width	750 mm	Height	730 mm
Gross weight	243 kg	Volume	0,411 m ³		
Min. Quantity	18.800.00 pcs.	Max. Quantity	18.800.00 pcs.		

Tender Text

<p>Hook bolt with M 6 thread, including toothed special flange nut similar to DIN EN 1661, for fastening wire mesh trays to brackets, to wire mesh tray hanging posts, as well as to Splice plates.</p> <p>Used for : Wire mesh trays up to max. 6 mm wire thickness</p> <p>Dimensions (approx. dimensions)</p> <p>Thread : M 6</p> <p>Thread length : 15 mm</p> <p>Flange nut : Ø 17 mm</p> <p>Material : stainless steel, material no. 1.4301, AISI 304</p> <p>NIEDAX Model no.: GRSM 6 E3</p> <p>EP Material_____ EP Wage_____</p> <p>Unit price/piece</p>

Safety & Environment

REACH Date	25.06.2025
REACH Info	Conformable
RoHS Info	Conformable

Origin & International Trade

Country of origin	TW
Customs tariff number	73181300