

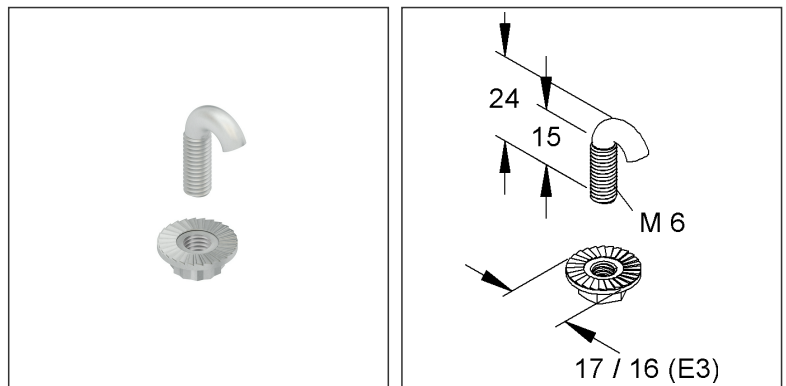
## Hook Bolt

incl. toothed flange nut similar to DIN EN 1661

## GRSM 6 F

EAN Code: 4013339940554  
 Smallest packaging unit: 50 pcs.

the photorealistic images are to be considered as reference images



### Article Description

Hook bolt, thread M6, with toothed flange nut, Ø 17 mm, steel, hot dip galvanised DIN EN ISO 1461/10684

### Additional Price Information

Article group	N13
quantity unit	pcs.

### Weight

Weight per quantity unit	11 g / pcs.
Weight in kg per 100	1,09 kg / 100pcs.

### Physical Article Dimensions

Height	23.55 mm
Width	16.30 mm
Depth/length	16.30 mm

# Technical Datasheet

## Wire Mesh Tray System

GRSM 6 F

the photorealistic images are to be considered as reference images

### Packing Dimension

<b>50 pieces = 1 carton</b>		✓ VP1-smallest packaging unit ( PU)	✓ VP1-preferred PU		
Lenght	100.00 mm	Width	83.00 mm	Height	59.00 mm
Gross weight	0,58 kg	Volume	0,000 m <sup>3</sup>		
Min. quantity	50.00 pcs.	Max. Quantity	50.00 pcs.		

### Tender Text

Hook bolt with M 6 thread, including toothed special flange nut similar to DIN EN 1661, for fastening wire mesh trays to brackets, to wire mesh tray overhead hangers, as well as to splice plates. For use in functional maintenance, please observe additional instructions!

Used for : Wire mesh trays up to max. 6 mm wire thickness

Dimensions (approx. dimensions)

Thread : M 6

Thread length : 15 mm

Flange nut : Ø 17 mm

Material : steel, hot-dip galvanised acc. to DIN EN ISO 10684

NIEDAX Model No.: GRSM 6 F

EP Material\_\_\_\_\_ EP Wage\_\_\_\_\_

Unit price/piece

### Safety & Environment

REACH Date	25.06.2025
REACH Info	Conformable
RoHS Info	Conformable

### Origin & International Trade

Country of origin	TW
Customs tarif number	73181300