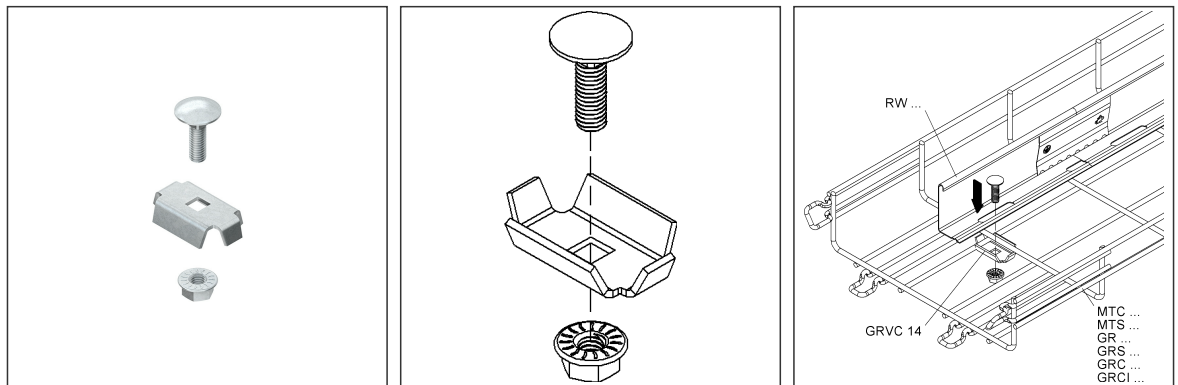


**Barrier Strip Fastening Clamp**

**GRVC 14 F**

EAN Code: 4013339280339  
 Smallest packaging unit: 50 pcs.

the photorealistic images are to be considered as reference images



**Article Description**

Barrier strip fastening clamp, steel, hot dip galvanised DIN EN ISO 1461, incl. accessories

**Incl. accessories**

1 FLM 6X20 F

**Additional Price Information**

Article group	N13
quantity unit	pcs.

**Weight**

Weight per quantity unit	24 g/ pcs.
Weight in kg per 100	2,31 kg/ 100pcs.

# Technical Datasheet

## Wire Mesh Tray System

GRVC 14 F

the photorealistic images are to be considered as reference images

### Physical Article Dimensions

Height	19.00 mm
Width	22.00 mm
Depth/length	37.00 mm

### Packing Dimension

<b>50 pieces = 1</b>		✓ VP1-smallest packaging unit ( PU)		✓ VP1-preferred PU	
Lenght	138.00 mm	Width	96.00 mm	Height	71.00 mm
Gross weight	1,21 kg	Volume	0,001 m <sup>3</sup>		
Min. quantity	50.00 pcs.	Max. Quantity	50.00 pcs.		
<b>10800 pieces = 1</b>					
Lenght	750 mm	Width	750 mm	Height	730 mm
Gross weight	302 kg	Volume	0,411 m <sup>3</sup>		
Min. Quantity	10.800.00 pcs.	Max. Quantity	10.800.00 pcs.		

### Tender Text

Barrier strip fastening clamp, for fastening barrier strips on wire mesh trays, including proportional fastening accessories in hot-dip galvanised.  
VDE certified! Please observe additional regulations for use in functional maintenance!  
Used for : wire mesh trays with a wire Ø 3.9 - 6 mm  
Material : steel, hot dip galvanised acc. to DIN EN ISO 1461  
NIEDAX Model No.: GRVC 14 F  
EP Material\_\_\_\_\_ EP Wage\_\_\_\_\_  
Unit price/piece

### Safety & Environment

REACH Date	25.06.2025
REACH Info	Conformable
RoHS Info	Conformable

### Origin & International Trade

Country of origin	DE
Customs tariff number	73089059