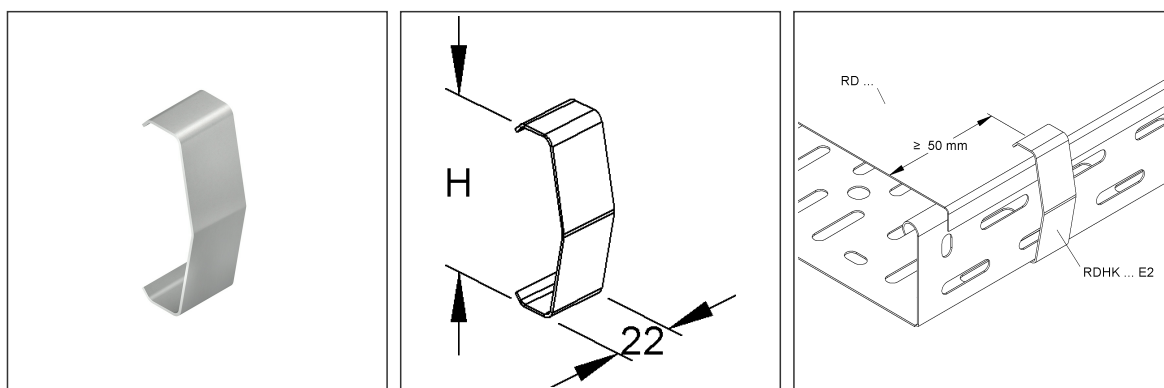


Cover Retaining Clamp

RDHK 110 E2

EAN Code: 4013339911868
 Smallest packaging unit: 50 pcs.

the photorealistic images are to be considered as reference images



Article Description

Cover retaining clamp, height 108 mm, stainless steel, material code: 1.4310

Additional Price Information

Article group	N13
quantity unit	pcs.

Weight

Weight per quantity unit	26 g / pcs.
Weight in kg per 100	2,54 kg / 100pcs.

Physical Article Dimensions

Height	116.00 mm
Width	22.00 mm
Depth/length	21.80 mm

Technical Datasheet

Cable Tray System

RDHK 110 E2

the photorealistic images are to be considered as reference images

Packing Dimension

50 pieces = 1 carton		✓ VP1-smallest packaging unit (PU)		✓ VP1-preferred PU	
Lenght	210 mm	Width	150.00 mm	Height	100.00 mm
Gross weight	1,46 kg	Volume	0,003 m ³		
Min. quantity	50.00 pcs.	Max. Quantity	50.00 pcs.		
3250 pieces = 1					
Lenght	750 mm	Width	750 mm	Height	730 mm
Gross weight	135 kg	Volume	0,411 m ³		
Min. Quantity	3.250.00 pcs.	Max. Quantity	3.250.00 pcs.		

Tender Text

Cover retaining clamp, for subsequent fastening - clamping function - of the cable tray covers without turning bolt closures on cable trays. When fastening, ensure that a minimum distance of ≥ 50 mm to the cover start/end is maintained. Due to external influences, such as wind loads, outdoor use is only possible with an additional securing device (self-tapping screws, steel band, etc.).

Used for :

cable tray cover RD ... and cable trays with edge height : 60 mm

Dimensions (approx. dimensions)

H x W : 108 x 22 mm

Material : spring steel, material No. 1.4310

NIEDAX Model No. : RDHK 110 E2

EP Material _____ EP Wage _____

Unit price/piece

Safety & Environment

REACH Date	25.06.2025
REACH Info	Conformable
RoHS Info	Conformable

Origin & International Trade

Country of origin	DE
Customs tariff number	73089059