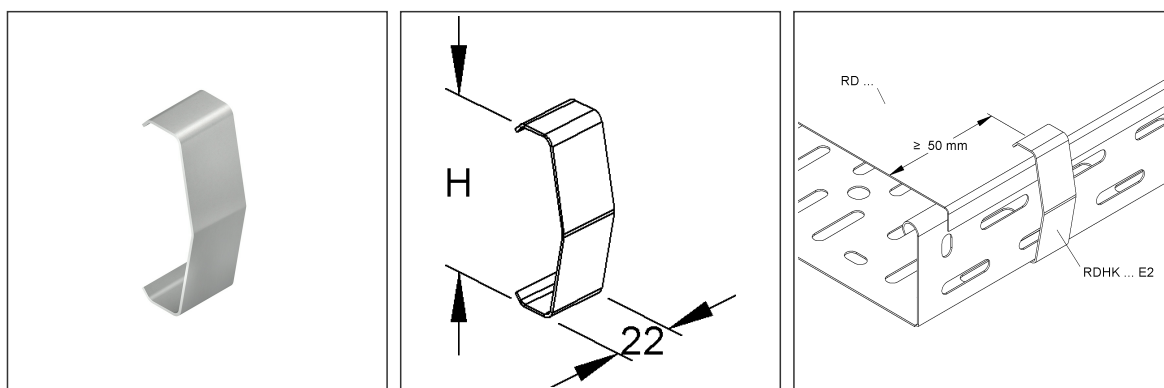


### Cover Retaining Clamp

#### RDHK 60 E2

EAN Code: 4013339911851  
 Smallest packaging unit: 50 pcs.

the photorealistic images are to be considered as reference images



#### Article Description

Cover retaining clamp, height 58 mm, stainless steel, material code: 1.4310

#### Additional Price Information

Article group	N13
quantity unit	pcs.

#### Weight

Weight per quantity unit	17 g / pcs.
Weight in kg per 100	1,69 kg / 100pcs.

#### Physical Article Dimensions

Height	66.00 mm
Width	22.00 mm
Depth/length	21.80 mm

# Technical Datasheet

## Cable Tray System

RDHK 60 E2

the photorealistic images are to be considered as reference images

### Packing Dimension

<b>50 pieces = 1 carton</b>		✓ VP1-smallest packaging unit ( PU)		✓ VP1-preferred PU	
Lenght	205 mm	Width	120.00 mm	Height	80.00 mm
Gross weight	0,98 kg	Volume	0,002 m³		
Min. quantity	50.00 pcs.	Max. Quantity	50.00 pcs.		
<b>5100 pieces = 1</b>					
Lenght	750 mm	Width	750 mm	Height	730 mm
Gross weight	140 kg	Volume	0,411 m³		
Min. Quantity	5.100.00 pcs.	Max. Quantity	5.100.00 pcs.		

### Tender Text

Cover retaining clamp, for subsequent fastening - clamping function - of the cable tray covers without turning bolt closures on cable trays. When fastening, ensure that a minimum distance of  $\geq 50$  mm to the cover start/end is maintained. Due to external influences, such as wind loads, outdoor use is only possible with an additional securing device (self-tapping screws, steel band, etc.).

Used for :

cable tray cover RD ... and cable trays with edge height : 60 mm

Dimensions (approx. dimensions)

H x W : 58 x 22 mm

Material : spring steel, material No. 1.4310

NIEDAX Model No. : RDHK 60 E2

EP Material \_\_\_\_\_ EP Wage \_\_\_\_\_

Unit price/piece

### Safety & Environment

REACH Date	25.06.2025
REACH Info	Conformable
RoHS Info	Conformable

### Origin & International Trade

Country of origin	DE
Customs tariff number	73209090